

DRUM MOTOR

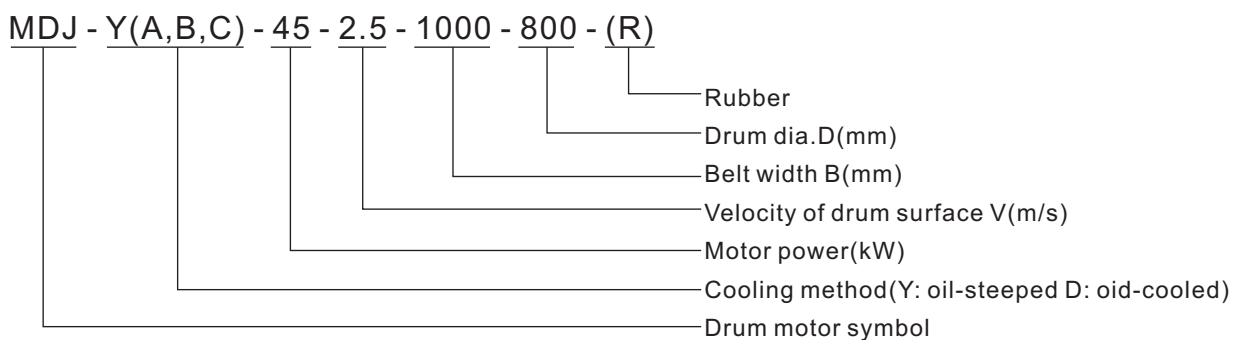


DRUM MOTORS

General Description

Being adrive of belt transporter and lifting equipment, the drum motor is widely applied in metallurgy, mining, chemical industry ,coal industry, building materials, powering, light industry, foodstuff and transportation etc. Drum motor has such property as fine structure,low volume,light weight,fine sealing and easy assembling.It can be used in such environment as heavy powder muddy,wet and outdoors.The ambient temperature is -10 ~+40 °C, Usually it isn't applied in altitude over 1000m, also it should be assembled levelly. M&C developed its drum motors which allow easy maintenance and high performance level. Optimized design, quality of materials used.The drum motor we produce on standard of JB/T7330-94 of mechanism department , be in accordance with ISO 9001 requirements. As

Nomenclature



Ordering Information

1. Please refer to our catalogue before ordering.If the Items, ratings you need are not covered by our booket please contact us.If you have particular needs,please offer us specific proposal in advance.A contract or agreement should be reached when requiements had been confirmed.
2. Please note the specification as power, diameter,belt width,velocity of drum surface,with rubber or no etc.
3. The motorized drum that work environment the ermperture is -10°C~ +40°C. The temperature that transport the material exceed 60°C. The elevation high of work location not exceed 1000 meters. If the work environment is out of accordance with above term, please contact with our company.

MDY OIL-COOLING DRUM MOTOR

This products is the in-side driving device of MDY type and general fixed belt machine. It is cover smaller Land area,lighterweight,more reliable performance, well aspect. Where operating atmospheres aggressive(the dusty ,muddy place) and other bad conditions.



Specification Chart of MDY Series

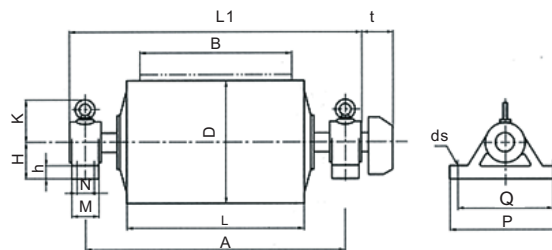
Drum dia.D (mm)	Power P (kw)	Belt width B (mm)	Velocity of drum surface V(m/s)											MassM (kg)	
			0.25	0.32	0.4	0.5	0.63	0.8	1	1.25	1.6	2	2.5		3.15
Ø320	1.5	500			○	○	○	○	○	○	○	○			130
		650			○	○	○	○	○	○	○	○			140
	2.2	500			○	○	○	○	○	○	○	○			130
		650			○	○	○	○	○	○	○	○			140
	3	500			○	○	○	○	○	○	○	○			140
		650			○	○	○	○	○	○	○	○			150
	4	500			○	○	○	○	○	○	○	○			150
		650			○	○	○	○	○	○	○	○			160
Ø400	2.2	500	○	○			○	○	○	○	○	○			216
		650	○	○			○	○	○	○	○	○			227
	3	50	○	○	○	○	○	○	○	○	○	○			248
		650	○	○	○	○	○	○	○	○	○	○			262
	4	500	○	○	○	○	○	○	○	○	○	○			253
		650	○	○	○	○	○	○	○	○	○	○			267
Ø500	2.2	500	○	○	○	○	○	○	○	○	○	○			271
		650	○	○	○	○	○	○	○	○	○	○			282
		800	○	○	○	○	○	○	○	○	○	○			312
	3	500	○	○	○	○	○	○	○	○	○	○			298
		650	○	○	○	○	○	○	○	○	○	○			313
		800	○	○	○	○	○	○	○	○	○	○			343
	4	500		○	○	○	○	○	○	○	○	○	○		305
		650		○	○	○	○	○	○	○	○	○	○		319
		800		○	○	○	○	○	○	○	○	○	○		349
	5.5	500		○	○	○	○	○	○	○	○	○	○		365
		650		○	○	○	○	○	○	○	○	○	○		401
		800		○	○	○	○	○	○	○	○	○	○		430
	7.5	650				○	○	○	○	○	○	○	○	○	414
		800				○	○	○	○	○	○	○	○	○	442
	11	650				○	○	○	○	○	○	○	○	○	475
		800				○	○	○	○	○	○	○	○	○	513
	15	800					○	○	○	○	○	○	○	○	536
	18.5	800							○	○	○	○	○	○	575
22	800									○	○	○	○	585	

MDY OIL-COOLING DRUM MOTOR

Specification Chart of MDY Series (continued)

Drum dia.D (mm)	Power P (kw)	Belt width B (mm)	Velocity of drum surface V(m/s)											MassM (kg)
			0.25	0.32	0.4	0.5	0.63	0.8	1	1.25	1.6	2	2.5	
Φ630	3	1000		○			○	○	○	○	○	○		526
	4	800					○	○	○	○	○	○	○	502
		1000					○	○	○	○	○	○	○	533
		1200					○	○	○	○	○	○	○	587
		5.5	800					○	○	○	○	○	○	○
	1000						○	○	○	○	○	○	○	603
	1200						○	○	○	○	○	○	○	673
	7.5	650					○	○	○	○	○	○	○	520
		800					○	○	○	○	○	○	○	587
		1000					○	○	○	○	○	○	○	618
		1200					○	○	○	○	○	○	○	687
	11	650					○	○	○	○	○	○	○	608
		800					○	○	○	○	○	○	○	674
		1000					○	○	○	○	○	○	○	706
		1200					○	○	○	○	○	○	○	776
	15	800					○	○	○	○	○	○	○	692
		1000					○	○	○	○	○	○	○	724
		1200					○	○	○	○	○	○	○	794
	18.5	800					○	○	○	○	○	○	○	730
		1000							○	○	○	○	○	762
1200								○	○	○	○	○	832	
22	800									○	○	○	740	
	1000									○	○	○	772	
	1200									○	○	○	842	
Φ800	7.5	1400					○	○	○	○	○	○	○	886
	11	1400					○	○	○	○	○	○	○	957
	15	1400					○	○	○	○	○	○	○	975
	18.5	1400								○	○	○	○	1015
	22	1400									○	○	○	1025

Mounting & External Size



D	B	A	L	L1	t	H	K	M	N	P	Q	h	ds
Φ320	500	850	600	920	95	120	125	70	-	340	280	35	Φ27
	650	1000	750	1070		120		70	-	340	280	35	Φ27
Φ400	500	850	600	940	95	120	125	90	-	340	280	35	Φ27
	650	1000	750	1090		120		90	-	340	280	35	Φ27
Φ500	500	850	600	960	115	100	145	70	-	340	280	35	Φ27
			620			120			-	340	280	35	Φ27
	650	1000	750	1120		120		90	-	340	280	35	Φ27
	800	1300	950	1420		120		90	-	340	280	35	Φ27
Φ630	650	1000	750	1120	115	120	175	90		340	280	35	Φ27
	800	1300	950	1430		140		130	80	400	330	35	Φ27
	1000	1500	1150	1630		140		130	80	400	330	35	Φ27
	1200	1750	1400	1900		160		180	150	90	440	360	50
Φ800	1400	2000	1600	2150	115	160	180	150	90	440	360	50	Φ34

MDJ OIL-STEEPED DRUM MOTOR

MDJ-I Series

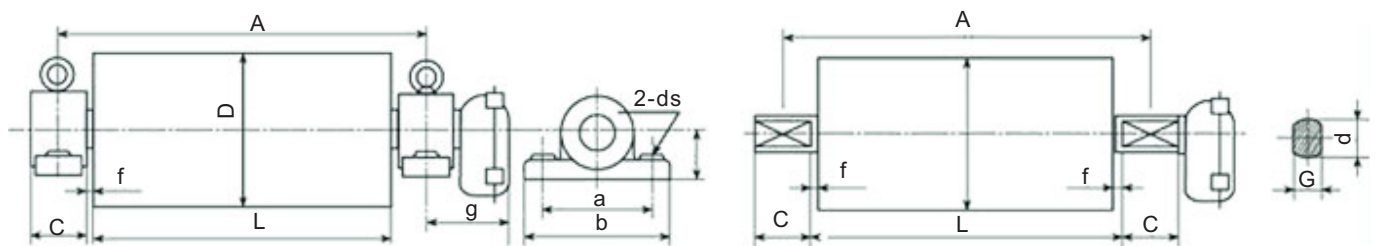
Compare with same domestic product, MDJ- I Series oil-steeped drum motor has a lot of advantages such as high efficiency,light weight,low noise,long service-life,and widely used in foods process,postal sorting office,light industry,airport luggage handling,harbours and electrical apparatus lines etc.



Specification Chart of MDJ-I Series

Drum Dia. D (mm)	Motor Power P(kw)	Velocity of drum surface V (m/s)	Roller limit length(mm)	Series least length		50mm weight 50mm Mass (kg)
				Len(mm)	W t.(kg)	
Ø110	0.12 single phase	0.14,0.16,0.20,0.25, 0.57, 0.63, 0.80	310	350	12	0.8
	0.25	0.04,0.047,0.05,0.055,0.06,0.065,0.07,0.075,0.08,0.09,0.10,0.12,0.152,0.20 0.25,0.30,0.32,0.34,0.38,0.44,0.53	350 320	350	16	1.1
Ø130	0.25	0.046,0.056,0.065,0.07,0.08,0.10,0.13,0.15,0.18,0.226 0.29,0.35,0.40,0.45,0.52,0.63	350 320	350 350	17	1.5
	0.55	0.046,0.056,0.058,0.068,0.071,0.08,0.09,0.10,0.12,0.14,0.15,0.18,0.226 0.29,0.35,0.40,0.45,0.52,0.63	400 370	400	19	1.5
Ø174	0.75	0.03,0.04,0.05,0.063,0.08,0.10,0.13,0.16,0.20 0.25,0.32,0.40,0.50,0.63,0.80,1.00,1.25,1.60,2.00	470 400	500 400	50 40	1.8
		0.05,0.063,0.08,0.10,0.13,0.16,0.20,0.25 0.32,0.40,0.50,0.63,0.80,1.00,1.25,1.60,2.00,2.50	470 400	500 400	70 60	
Ø215	0.75	0.13,0.16,0.20,0.25,0.32,0.40,0.50,0.63,0.80,1.00, 1.25,1.60,2.00,2.50	410	450	63	2.5
	1.1	0.13,0.16,0.20,0.25,0.32,0.40,0.50,0.63,0.80,1.00, 1.25,1.60,2.00,2.50	460	500	69	
	1.5/2.2	0.13,0.16,0.20,0.25,0.32,0.40,0.50,0.63,0.80,1.00, 1.25,1.60,2.00,2.50	510	550	73	
Ø240	0.75	0.056,0.07,0.089,0.11,0.14,0.18,0.22,0.28,0.36 0.44,0.56,0.70,0.89,1.11,1.39,1.78,2.22,2.78	470 400	500 400	80 70	2.8
		1.1	0.14,0.18,0.22,0.28,0.36,0.44,0.56,0.70,0.89,1.11,1.39, 1.78,2.22,2.78	410	450	
	1.5/2.2	0.14,0.18,0.22,0.28,0.36,0.44,0.56,0.70,0.89,1.11,1.39, 1.78,2.22,2.78	460	500	78	
	3	0.14,0.18,0.22,0.28,0.36,0.44,0.56,0.70,0.89,1.11,1.39, 1.78,2.22,2.78	510	550	81	
Ø320	1.1	0.13,0.16,0.20,0.25,0.32,0.40,0.50,0.63,0.80,1.00,1.25, 1.60,2.00,2.50	420	450	120	3.2
	1.5/2.2	0.13,0.16,0.20,0.25,0.32,0.40,0.50,0.63,0.80,1.00,1.25, 1.60,2.00,2.50	470	500	126	
	3	0.13,0.16,0.20,0.25,0.32,0.40,0.50,0.63,0.80,1.00,1.25, 1.60,2.00,2.50	520	550	132	
	4	0.25,0.32,0.40,0.50,0.63,0.80,1.00,1.25, 1.60,2.00,2.50, 3,15	560	600	150	
	5.5	0.25,0.32,0.40,0.50,0.63,0.80,1.00,1.25, 1.60,2.00,2.50, 3,15	560	600	155	
Ø400	7.5	0.50,0.63,0.80,1.00,1.25,1.60,2.00,2.50,3.15	660	700	160	5
	1.1	0.16,0.20,0.25,0.32,0.40,0.50,0.63,0.80,1.00,1.25,1.60, 2,00,2.50	420	450	140	
	1.5/2.2	0.16,0.20,0.25,0.32,0.40,0.50,0.63,0.80,1.00,1.25,1.60, 2,00,2.50	470	500	145	
	3	0.16,0.20,0.25,0.32,0.40,0.50,0.63,0.80,1.00,1.25,1.60, 2,00,2.50	520	600	152	
	4	0.32,0.40,0.50,0.63,0.80,1.00,1.25,1.60,2.00,2.50,3.15, 4	560	550	170	
	5	0.32,0.40,0.50,0.63,0.80,1.00,1.25,1.60,2.00,2.50,3.15, 4	560	650	175	
7.5	0.63,0.80,1.00,1.25,1.60,2.00,2.50,3.15,4.00	660	750	190		

MOUNTING & EXTERNAL SIZE



Notes: Mounting center distance $A=L+2f+c$. In case the drum motor has bracket, A is the distance between two bracket center. In case it has no bracket, A is the distance between two symmetrical mounting tenons center, which are both shaft ends.

Drum dia. D(mm)	a	b	c	d	e	f	g	h	s
Ø110	/	/	20	25	21	5	/	/	/
Ø130	/	/	20	25	21	5	/	/	/
Ø174	120	160	60	32	25	5	105	50	15
Ø2156	120	160	60	38	30	5	105	50	15
Ø240	120	160	60	38	30	5	105	50	15
Ø320	210	260	60	42	35	10	120	95	19
Ø400	210	260	60	42	35	10	120	95	19

MDJ OIL-STEEPED DRUM MOTOR

MDJ-II Series

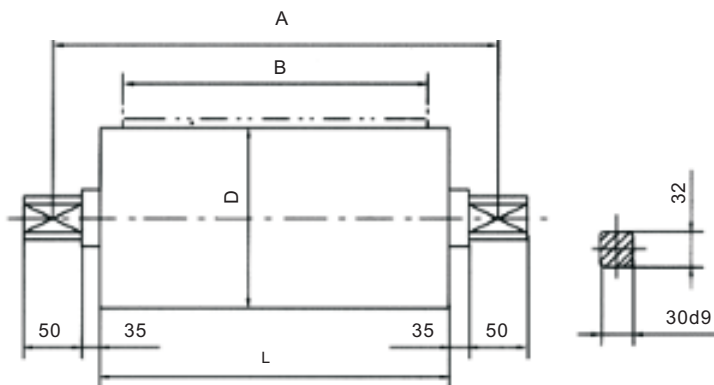
MDJ- II Series oil-steeped drum motor is a driving device for various portable conveyers. It has compact structure, light weight, safety and operation reliability.



Specification Chart of MDJ-II Series

Drum dia.D(mm)	Power P(kw)	Belt width B(mm)	Velocity of drum surface V(m/s)						MassM(kg)
			0.63	0.8	1	1.25	1.6	2	
Ø240	1.1	400	○	○	○	○	○	○	70
		500	○	○	○	○	○	○	76
		650	○	○	○	○	○	○	86
	1.5	400	○	○	○	○	○	○	75
		500	○	○	○	○	○	○	81
		650	○	○	○	○	○	○	91
	2.2	400				○	○	○	75
		500				○	○	○	81
		650				○	○	○	91
	3	400				○	○	○	123
		500				○	○	○	130
		650				○	○	○	141
Ø320	1.5	400		○	○	○	○	○	132
		500		○	○	○	○	○	144
		650		○	○	○	○	○	148
	2.2	500		○	○	○	○	○	158
		650		○	○	○	○	○	153
	3	500			○	○	○	○	163
		650			○	○	○	○	152
	4	500			○	○	○	○	170
		650			○	○	○	○	166
	5.5	500					○	○	183
		650				○	○	○	171
	Ø400	3	500		○	○	○	○	○
650				○	○	○	○	○	190
4		500		○	○	○	○	○	
		650		○	○	○	○	○	
5.5		500				○	○	○	
		650		○	○	○	○	○	
7.5	650				○	○	○		

MOUNTING & EXTERNAL SIZE



D	B	L	A
Φ240	400	460	580
	500	560	680
	650	730	850
Φ320	400	460	580
	500	560	680
	650	730	850
Φ400	500	560	680
	650	730	850

MDJ OIL-STEEPED DRUM MOTOR

MDJ-III Series

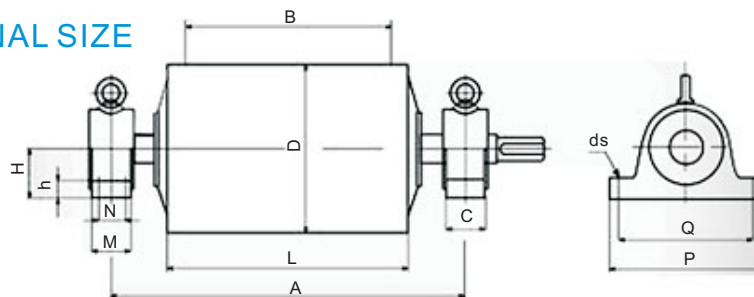
MDJ-III series drum motor is a product for large and medium type belt conveyors ,in which oil-steeped motor drives the advanced planetary gear reducers,high precision and low noise are its advantages. Motorized drum is totally enclosed and guarantee against the seepage of oil, therefore able to operate in humid and dust conditions, for extremely rough conditions a special seal is available. As a ideal driving device for the Bucket Wheel Stacker and Reclaimer, load and unload machines, this type motorized drum are widely used in mines, factories, harbours, etc



Specification Chart of MDJ-III Series

Drum dia.D(mm)	Power P(kw)	Belt width B(mm)	Velocity of drum surface V(m/s)							MassM (kg)
			1	1.25	1.6	2	2.5	3.15	4	
Ø 630	18.5	800	○	○	○	○	○	○	○	1200
		1000	○	○	○	○	○	○	○	1250
		1200	○	○	○	○	○	○	○	1300
		1400	○	○	○	○	○	○	○	1350
	22	800	○	○	○	○	○	○	○	1300
		1000	○	○	○	○	○	○	○	1350
		1200	○	○	○	○	○	○	○	1400
		1400	○	○	○	○	○	○	○	1450
	30	800	○	○	○	○	○	○	○	1300
		1000	○	○	○	○	○	○	○	1400
		1200	○	○	○	○	○	○	○	1450
		1400	○	○	○	○	○	○	○	1500
	37	800	○	○	○	○	○	○	○	1350
		1000	○	○	○	○	○	○	○	1500
		1200	○	○	○	○	○	○	○	1550
		1400	○	○	○	○	○	○	○	1600
Ø 800	18.5	800	○	○	○	○	○	○	○	1270
		1000	○	○	○	○	○	○	○	1320
		1200	○	○	○	○	○	○	○	1370
		1400	○	○	○	○	○	○	○	1420
	22	800	○	○	○	○	○	○	○	1370
		1000	○	○	○	○	○	○	○	1420
		1200	○	○	○	○	○	○	○	1470
		1400	○	○	○	○	○	○	○	1520
	30	800	○	○	○	○	○	○	○	1420
		1000	○	○	○	○	○	○	○	1470
		1200	○	○	○	○	○	○	○	1520
		1400	○	○	○	○	○	○	○	1570
	37	800	○	○	○	○	○	○	○	1520
		1000	○	○	○	○	○	○	○	1570
		1200	○	○	○	○	○	○	○	1620
		1400	○	○	○	○	○	○	○	1670
	45	1000	○	○	○	○	○	○	○	2080
		1200	○	○	○	○	○	○	○	2200
		1400	○	○	○	○	○	○	○	2320
		1000	○	○	○	○	○	○	○	2130
	55	1200	○	○	○	○	○	○	○	2250
		1400	○	○	○	○	○	○	○	2370
		1000	○	○	○	○	○	○	○	2150
		1200	○	○	○	○	○	○	○	2300
Ø 1000	45	1400	○	○	○	○	○	○	○	2500
		1000	○	○	○	○	○	○	○	2200
		1200	○	○	○	○	○	○	○	2350
		1400	○	○	○	○	○	○	○	2550
	55	1000	○	○	○	○	○	○	○	2200
		1200	○	○	○	○	○	○	○	2350
		1400	○	○	○	○	○	○	○	2500
		1000	○	○	○	○	○	○	○	2200

MOUNTING & EXTERNAL SIZE



Drum dia.D (mm)	B	A	L	H	M	N	P	Q	h	d 1	E
Ø 630	800	1300	950	140	130	80	400	330	50	Ø 27	200
	1000	1500	1150	140	130	80	400	330	50	Ø 27	
	1200	1750	1400	160	150	90	440	360	50	Ø 34	
	1400	2000	1600	160	150	90	440	360	50	Ø 34	
Ø 800	800	1300	950	140	130	80	400	330	50	Ø 27	
	1000	1500	1150	140	130	80	400	330	50	Ø 27	
	1200	1750	1400	160	150	90	440	360	50	Ø 34	
	1400	2000	1600	160	150	90	440	360	50	Ø 34	
Ø 1000	1000	1500	1150	140	130	80	400	330	50	Ø 27	
	1200	1750	1400	160	150	90	440	360	50	Ø 34	
	1400	2000	1600	160	150	90	440	360	50	Ø 34	
	1000	1500	1150	140	130	80	400	330	50	Ø 27	

Remarks:

- MDJ-III series drum motor on occasion like operating in only direction can be made.
- MDJ-III series drum motor can be made to meet special requirements of our customers.

MDW EXTERNAL DRUM MOTOR

External drum motor is a new kind of drum motor, the motor is installed outside the body of roller, and the reducing mechanism is installed inside the body of roller. It overcomes the shortcoming of poor radiating condition and limited working power, now the working power is up to 160kW and even bigger.

This series have three installing types, type I, type II, and type III in different occasions. Allocated motor of this series is standard motor of Y-series. If you select flameproof motor of YB-series, this drum motor may be used in the field needed flameproof. There fore, all types of the out-side assembly drum motor has own flameproof's This kind of drum motor produced by our company has been used widely in big sized and medium-sized conveyors in the fields of port, mine, metallurgy electric industry and well received by the users.



Classifying List of MDW series

YTH-I horizontal & alignment type	Model	Name
	YTH-IG	Horizontal & alignment coupling
	YTH-IY	Horizontal & alignment hydraulic coupling
	YTHN-IG	Horizontal & alignment stop-reserve coupling
	YTHN-IY	Horizontal & alignment stop-reserve hydraulic coupling
	YTHZ-IG	Horizontal & alignment brake coupling
	YTHZ-IY	Horizontal & alignment brake hydraulic coupling

YTH-II verticid motor type	Model	Name	Remarks
	YTH-II	Vertical motor	Limited to below 37kW power
	YTHN-II	Stop-reverse	

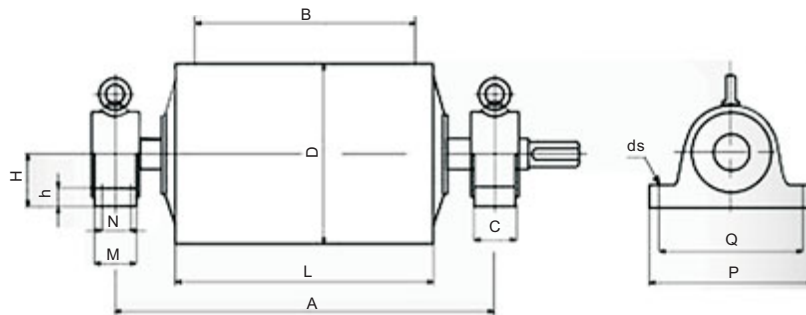
YTH-III horizontal & vertical type	Model	Name
<p>Mounting Method</p> <p>A type B type</p> <p>C type D type</p>	YTH-III G	Horizontal & alignment coupling
	YTH-III Y	Horizontal & vertical hydraulic coupling
	YTHN-III G	Horizontal & vertical stop-reserve coupling
	YTHN-III Y	Horizontal & vertical stop-reserve hydraulic coupling
	YTHZ-III G	Horizontal & vertical brake coupling
	YTHZ-III Y	Horizontal & vertical brake hydraulic coupling
	YTHNd-III G	Horizontal & vertical low-speed stop-reverse coupling
	YTHNd-III Y	Horizontal & vertical low-speed stop-reverse hydraulic coupling (Its drawing references to YTHZd-IY)

MDW EXTERNAL DRUM MOTOR

Specification Chart Of MDW Series

Dia. Mm	Belt Width mm	Power kW	Velocity of drum surface												
			0.25	0.32	0.4	0.5	0.63	0.8	1.0	1.25	1.6	2.0	2.5	3.15	4.0
Φ400	500/650	1.1 1.5 2.2 3.0 4.0	○	○	○	○	○	○	○	○	○	○			
Φ500	500	2.2 3.0 4.0		○	○	○	○	○	○	○	○	○	○		
	650	5.5 7.5 11 15					○	○	○	○	○	○	○	○	
	800	18.5 22 30 37						○	○	○	○	○	○	○	
Φ630	650	5.5 7.5 11 15					○	○	○	○	○	○	○	○	
	800		18.5 22 30 37						○	○	○	○	○	○	
	1000	45 55								○	○	○	○	○	
	1200										○	○	○	○	
Φ800	800	5.5 7.5 11 15						○	○	○	○	○	○	○	○
	1000	18.5 22 30 37								○	○	○	○	○	○
	1200	45 55									○	○	○	○	○
	1400	75 90 110 132 160									○	○	○	○	
Φ1000	1000	18.5 22 30 37										○	○	○	○
	1200	45 55											○	○	○
	1400	75 90 110 132 160											○	○	○

Mounting & External Size



D	B	A	L	H	C	M	N	P	Q	h	ds
Φ400	500	850	600	120	110	90	-	340	280	35	Φ27
	650	1000	750	120	110	90	-	340	280	35	Φ27
Φ500	500	850	620	100	120	70	-	340	280	35	Φ27
	650	1000	750	120	120	90	-	340	280	35	Φ27
	800	1300	950	120	120	90	-	340	280	35	Φ27
Φ630	650	1000	750	120	120	90	-	340	280	35	Φ27
	800	1300	950	140	140/120	130	80	400	330	35	Φ27
	1000	1500	1150	140	140/120	130	80	400	330	35	Φ27
	1200	1750	1400	160	160	150	90	440	360	50	Φ34
	1400	2000	1600	160	160	150	90	440	360	50	Φ34
Φ800	800	1300	950	140	140	130	80	400	330	35	Φ27
	1000	1500	1150	140	140	130	80	400	330	35	Φ27
	1200	1750	1400	160	160	150	90	440	360	50	Φ34
	1400	2000	1600	160	160	150	90	440	360	50	Φ34
Φ1000	1000	1500	1150	140	140	130	80	400	330	50	Φ27
	1200	1750	1400	160	160	150	90	440	360	50	Φ34
	1400	2000	1600	160	160	150	90	440	360	50	Φ34

MDB ANTI-EXPLOSION DRUM MOTOR

Summary

MDB series anti-explosion drum motor is according to the request of GB3836.1-2000<<electric installation which used in the explosive gas of environment Section 1: universal standard>> and GB3836.2-2000<<electric installation which used in the explosive gas of environment Section 2: explosion- isolating "d">>, designed and made into explosion-isolating type,sign of explosion-isolating is EXD1,which used in the explosive gas of environment, installed measurement is according with standard, the new driving device which is used of rubber coated draper, comparing with the explosion-proof motor + reducer + live-drum's drive unit, it has obvious virtur,It's compact of structure, install safely, operate conveniently, beautiful of appearance.



Scope of application

The Exd 1 of products is used in cdiery(unexcavating of working range)which contains methane or coal dust's explosive gas mixture. Attention: the surrounding medium of place doesn't contain destroyed metal and insulating reactivity chemical material.

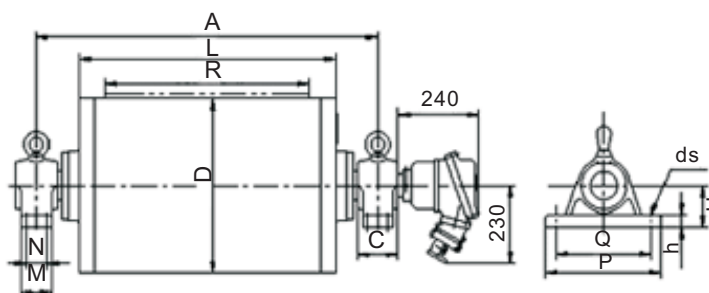
Service conditions

- a. Height above sea level doesn't exceed 1000m;
- b. The temperature of environmental change to season, but the maximum temperature doesn't exceed 35 (in the pit of colliery), the minimum temperature of environm °C ental is -20 ; °C
- c. The maximum relative humidity of environmental doesn't exceed 95%, doesn't condense;
- d. Rated voltage 380V,660V,380/660V,660/1140V,rated frequency 50Hz;
- e. The quota of drum motor is according to continuously-running duty S1,permits to start in full pressure , but the power of drum motor which start in load must raise 1 grade.

Specification Chart of MDB series

Drum Dia.D (mm)	Power P (kW)	Velocity of drum surface V (m/s)	Belt width B (mm)	Length of drum L (mm)
Φ500	7.5	0.8, 1, 1.25, 1.6, 2	650, 800	750, 950
	11	0.8, 1, 1.25, 1.6, 2, 2.5	650, 800	750, 950
	15	0.8, 1, 1.25, 1.6, 2, 2.5	800	95
Φ630	7.5	0.8, 1, 1.25, 1.6, 2, 2.5	1000	1150
	11, 15	0.8, 1, 1.25, 1.6, 2, 2.5	1000	1150
	18.5	0.8, 1, 1.25, 1.6, 2, 2.5	800, 1000, 1200	950, 1150, 1400
	22	1, 1.25, 1.6, 2, 2.5	800, 1000, 1200	950, 1150, 1400
	30, 37	1.25, 1.6, 2, 2.5, 3.15	1000, 1200, 1400	1150, 1400, 1600
	45	1.6, 2, 2.5, 3.15	1000, 1200, 1400	1150, 1400, 1600

Mounting & External Size



D	B	L	A	H	C	M	N	P	Q	h	ds
Φ500	650	750	1000	120	120	90	-	340	280	35	Φ27
	800	950	1300	120	120	90	-	340	280	35	Φ27
Φ630	800	950	1300	140	120	130	80	400	330	35	Φ27
	1000	1150	1500	140	120	130	80	400	330	35	Φ27
	1200	1400	1750	160	160	150	90	440	360	50	Φ34
	1400	1600	2000	160	160	150	90	440	360	50	Φ34

M&C[®]
ELECTRIC POWER

CHINA ELECTRIC MOTOR ASSOCIATION
GUANGDONG M&C ELECTRIC POWER CO.,LTD

Add:3/f Dizhi Building No.739 Dongfeng Rd.E Guangzhou China

Tel.: 0086-20-89660216

Fax.: 0086-20-89660219

P.C.: 510080

E-mail: mc@china-electricmotor.com

Website: <http://www.china-electricmotor.com>