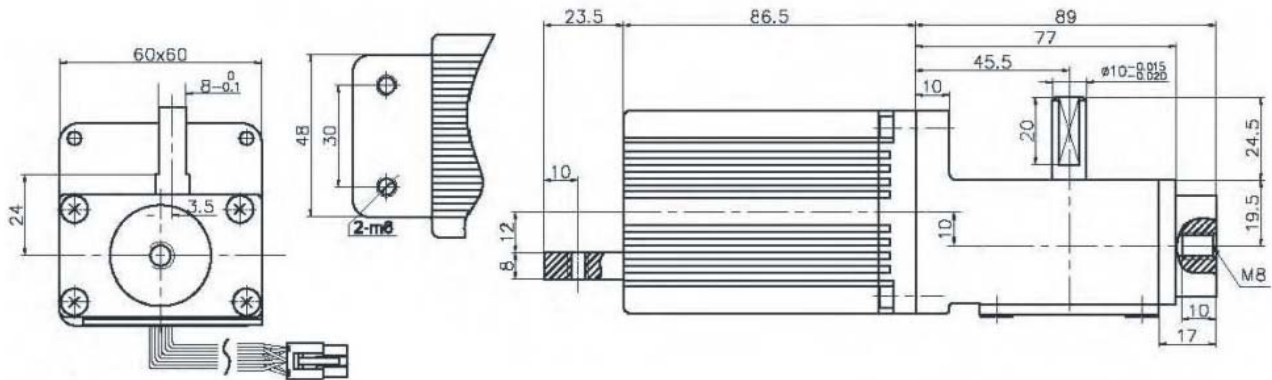


Automatic Door Motor



- Typical Applications
- Medical Equipment
- Automatic Door

Mechanical



Performance Data

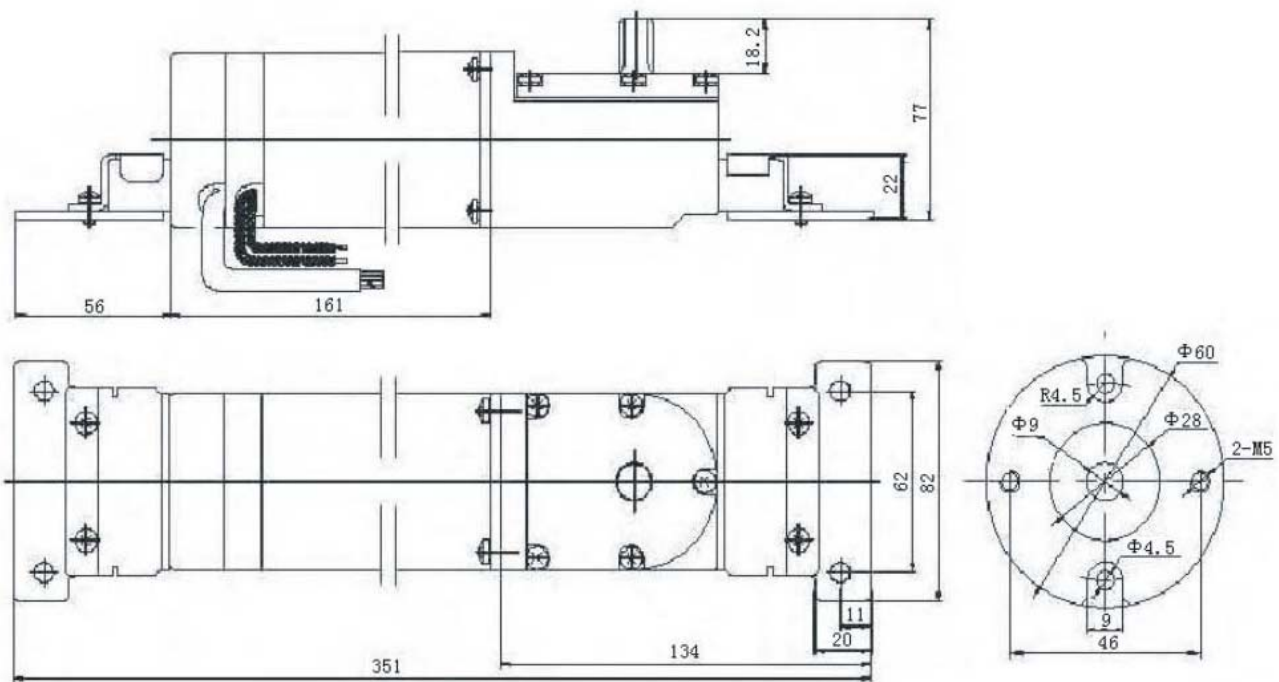
Type	Reduction Ratio	Output Shaft Speed	Allowable Torque	
	V	rpm	N.m	Kgf.cm
DPGM-60-60(Brush)	18.0	5600	0.85	4547

Automatic Door Motor



- Typical Applications
- Medical Equipment
- Automatic Door

Mechanical



Performance Data

Type	Voltage	Power	No Load		On Load			Brush Life	Weight
			Speed	Current	Speed	Torque	Current		
	V	W	rpm	A	rpm	kg.cm	A	H	kg
DPGM-60-60	90	60	2150	0.2	1800	3.2	1.0	2000	1.2