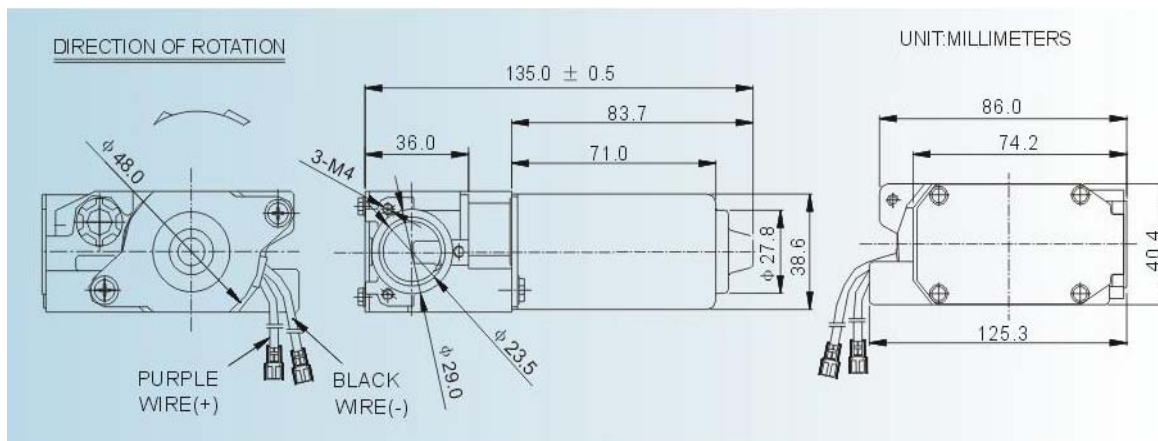


# AUTO Compressor Pump



- Typical Applications
- AUTO Compressor Pump, ETC

## Mechanical



## Performance Data

Type	Voltage		No-load		At Maximum Efficiency						Stall		
	Operating Range	Nominal	Speed	Current	Speed	Current	Torque		Output	Eff	Torque		Current
	V	V	rpm	A	rpm	A	g.cm	mN.m	W	%	g.cm	mN.m	A
HHT-660-6805	9.6~14.4	12.0	5300	3.5	3897	9.72	1059	103.8	42.33	36.3	4000	392.0	27.0