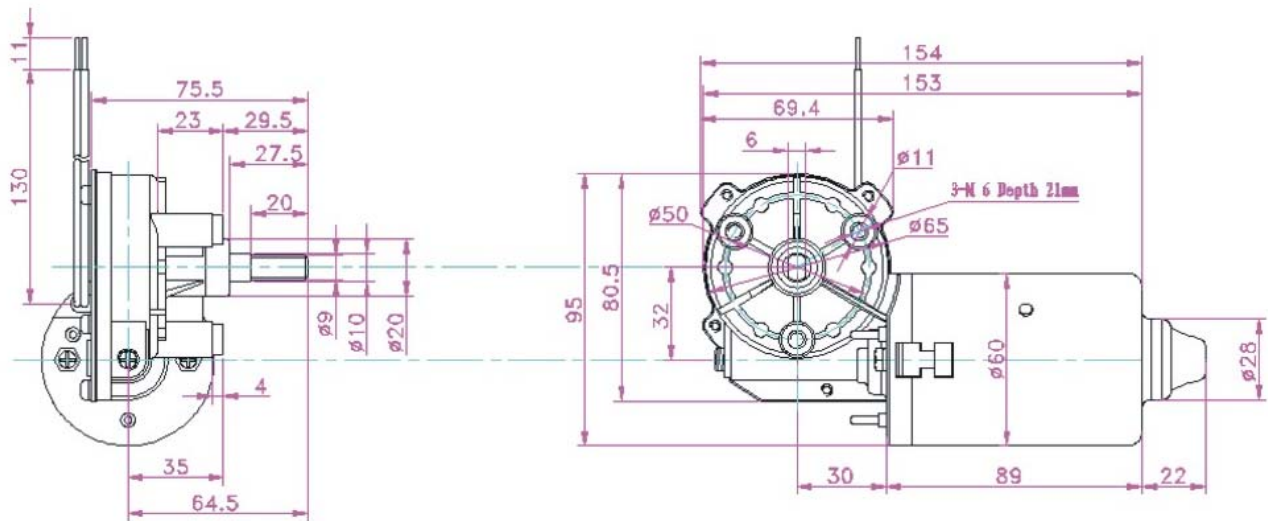


Automotive Motor



- Typical Applications
- Car

Mechanical



Performance Data

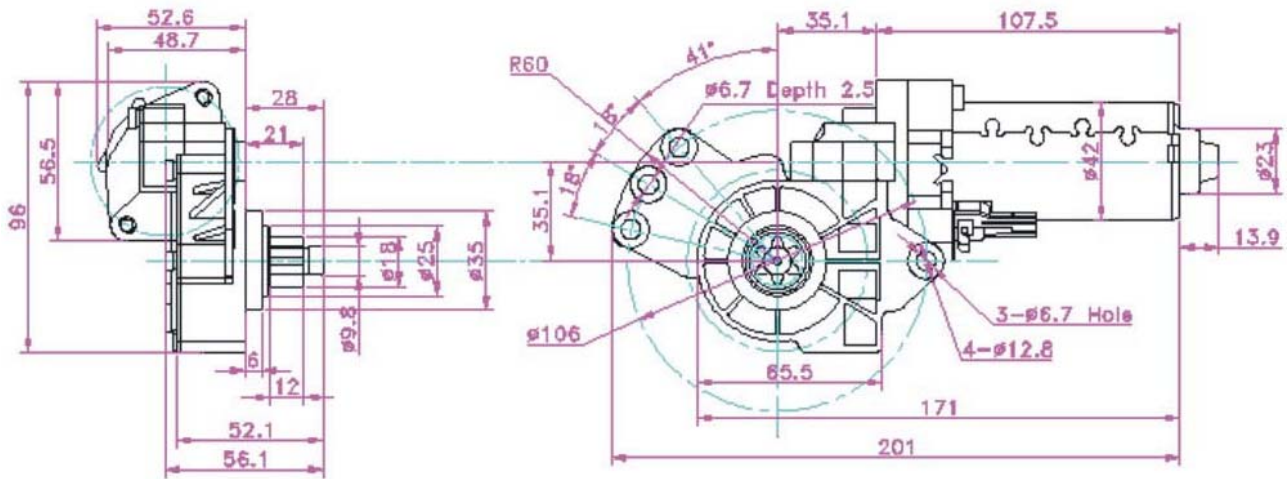
| Type | Voltage | No Load | | On Load | | |
|-------------------|---------|---------|---------|---------|--------|---------|
| | | Speed | Current | Speed | Torque | Current |
| | V | rpm | A | rpm | kg.cm | A |
| DPGM-W64R-4225-70 | 12 | 26 | 0.36 | 24 | 20 | 1.0 |

Automotive Motor



- Typical Applications
- Car

Mechanical



Performance Data

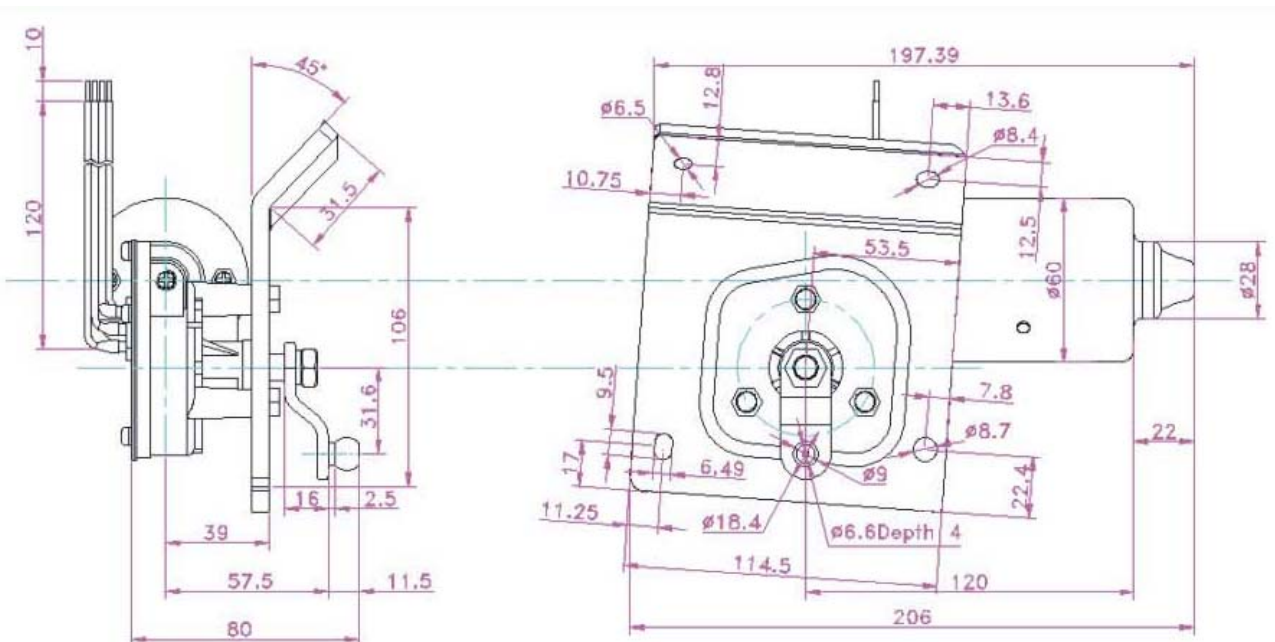
| Type | Voltage | No Load | | At Max Efficiency | | |
|--------------------|---------|---------|---------|-------------------|--------|---------|
| | | Speed | Current | Speed | Torque | Current |
| | V | rpm | A | rpm | kg.cm | A |
| DPGM-W57L-2835-560 | 12 | 6.8 | 1 | 6.3 | 28 | 1.4 |

Automotive Motor



- Typical Applications
- Car

Mechanical



Performance Data

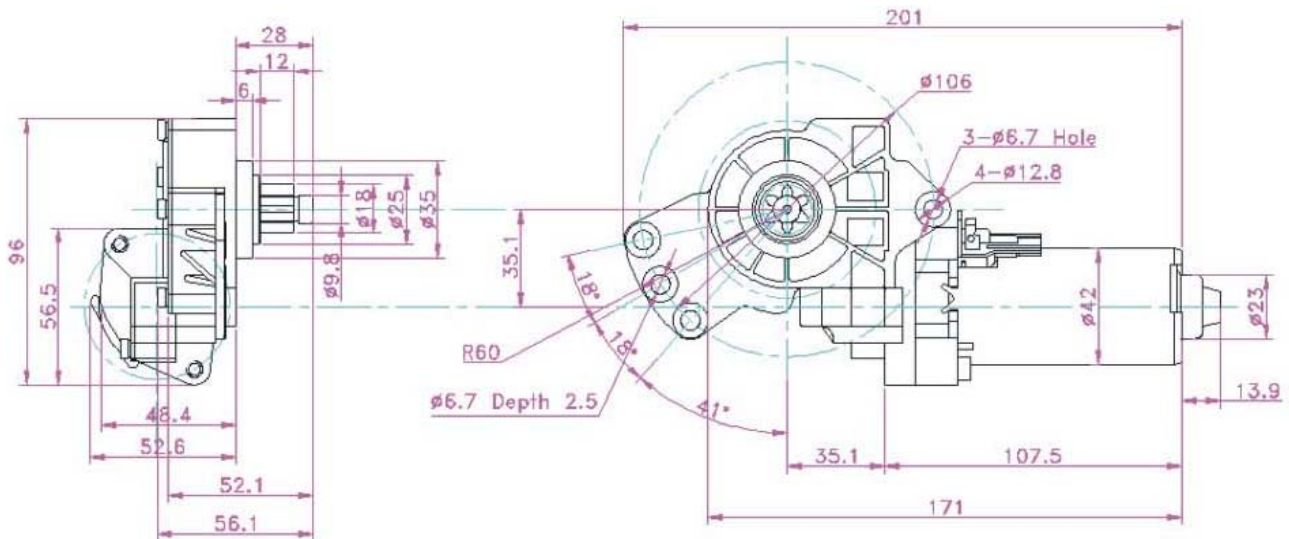
| Type | Voltage | No Load | | At Max Efficiency | | |
|--------------------|---------|---------|---------|-------------------|--------|---------|
| | | Speed | Current | Speed | Torque | Current |
| | V | rpm | A | rpm | kg.cm | A |
| DPGM-W64LA-4225-55 | 12 | 42 | 1.2 | 40 | 15 | 1.6 |

Automotive Motor



- Typical Applications
- Car

Mechanical



Performance Data

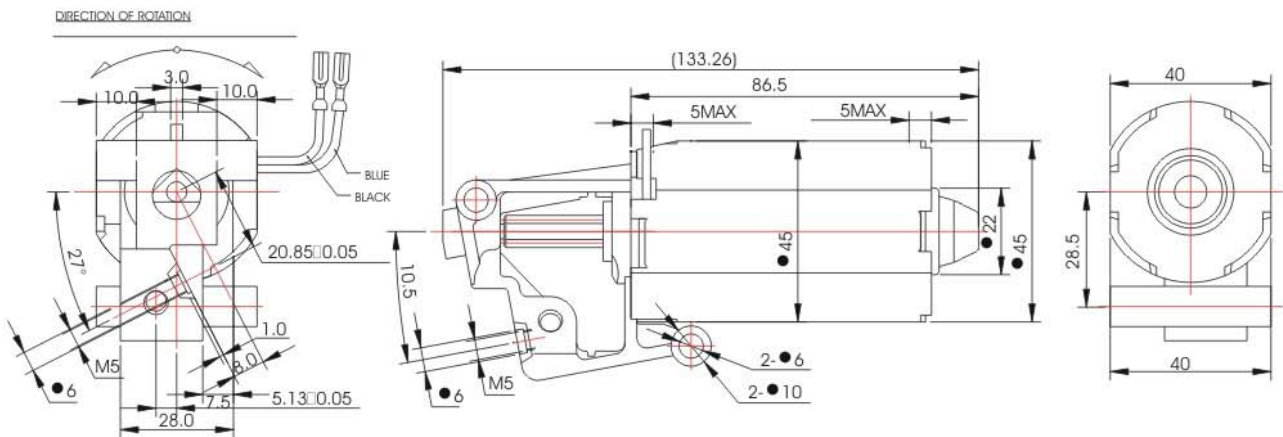
| Type | Voltage | No-load | | At Maximum Efficiency | | |
|--------------------|---------|---------|---------|-----------------------|---------|--------|
| | Nominal | Speed | Current | Speed | Current | Torque |
| | VDC | rpm | A | rpm | A | kg.cm |
| DPGM-W57R-2835-420 | 12.0 | 9 | 1 | 8.4 | 1.3 | 21 |

Automotive Motor



- Typical Applications
- Automation Equipment Drivers

Mechanical



Performance Data

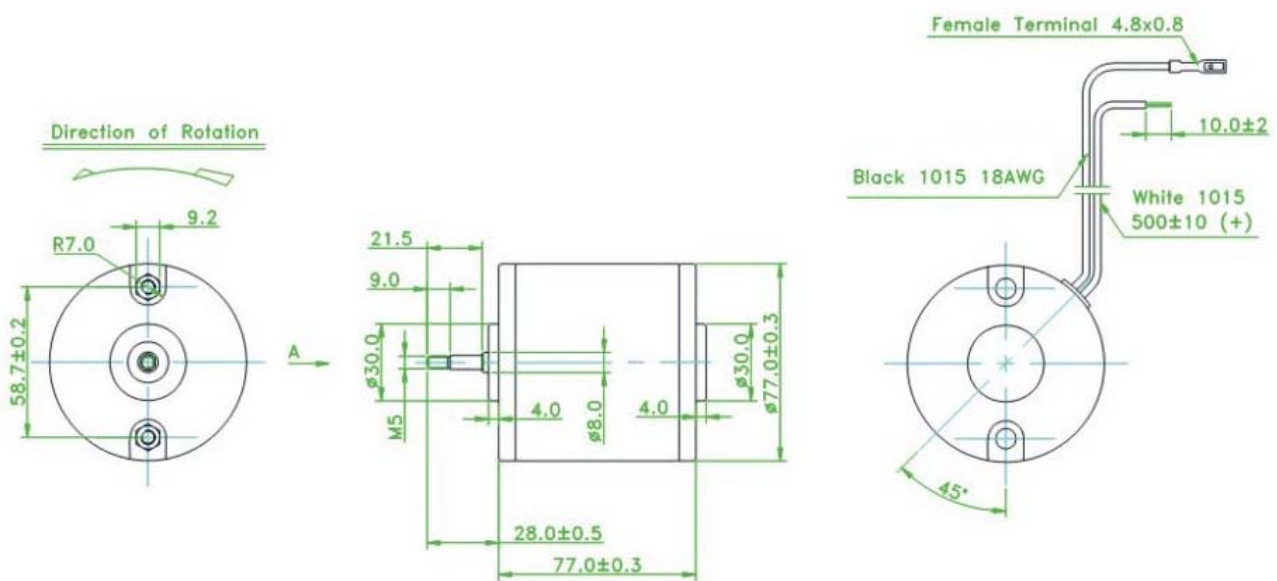
| Type | Voltage | No-load | | At Maximum Efficiency | | | Output | | |
|----------------|---------|---------|---------|-----------------------|------|--------|--------|--------|---------|
| | Nominal | Speed | Current | Speed | W | Torque | Output | Torque | Current |
| | V | rpm | A | rpm | 7.18 | g.cm | W | g.cm | A |
| DPT3030018-017 | 18.0 | 5600 | 0.85 | 4547 | 3.7 | 860 | 40 | 4500 | 16 |

Automotive Motor



- Typical Applications
- Car Fan

Mechanical



Performance Data

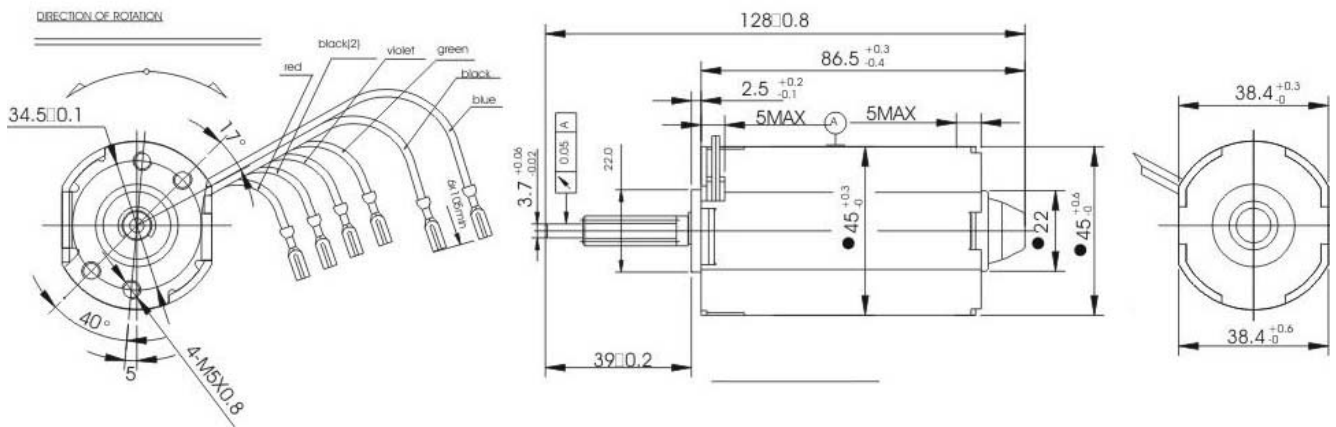
| Type | Voltage | | No-load | | At Maximum Efficiency | | |
|-----------------|-----------------|---------|---------|---------|-----------------------|---------|--------|
| | Operating Range | Nominal | Speed | Current | Speed | Current | Torque |
| | v | V | rpm | A | rpm | A | mN.m |
| DPT5215012-8101 | 9-12 | 12V | 1150 | 0.25 | 925 | 1.2 | 65 |

Automotive Motor



- Typical Applications
- Automation Equipment Drivers

Mechanical



Performance Data

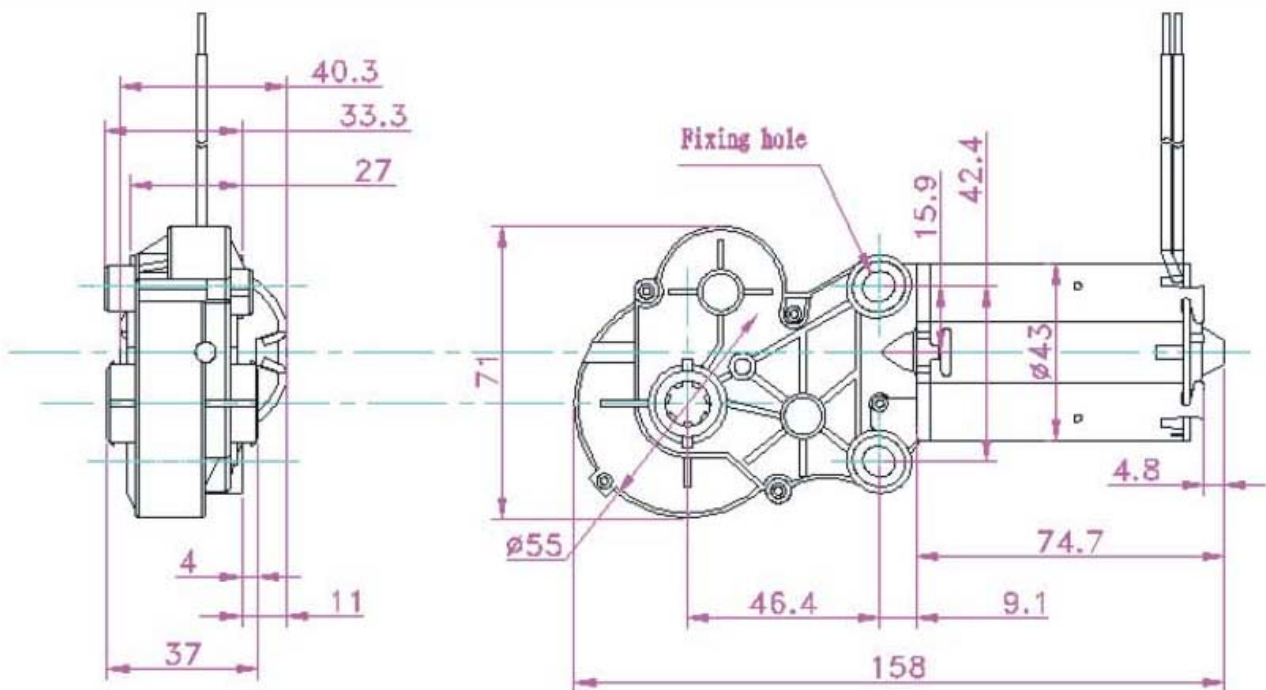
| Type | Voltage | No-load | | At Maximum Efficiency | | | | Output | |
|----------------|---------|---------|---------|-----------------------|------|--------|--------|--------|---------|
| | Nominal | Speed | Current | Speed | W | Torque | Output | Torque | Current |
| | V | rpm | A | rpm | 7.18 | g.cm | W | g.cm | A |
| DPT3030018-017 | 18.0 | 5580 | 0.73 | 4600 | 3.4 | 814 | 7.18 | 549 | 53.9 |

Automotive Motor



- Typical Applications
- Car

Mechanical



Performance Data

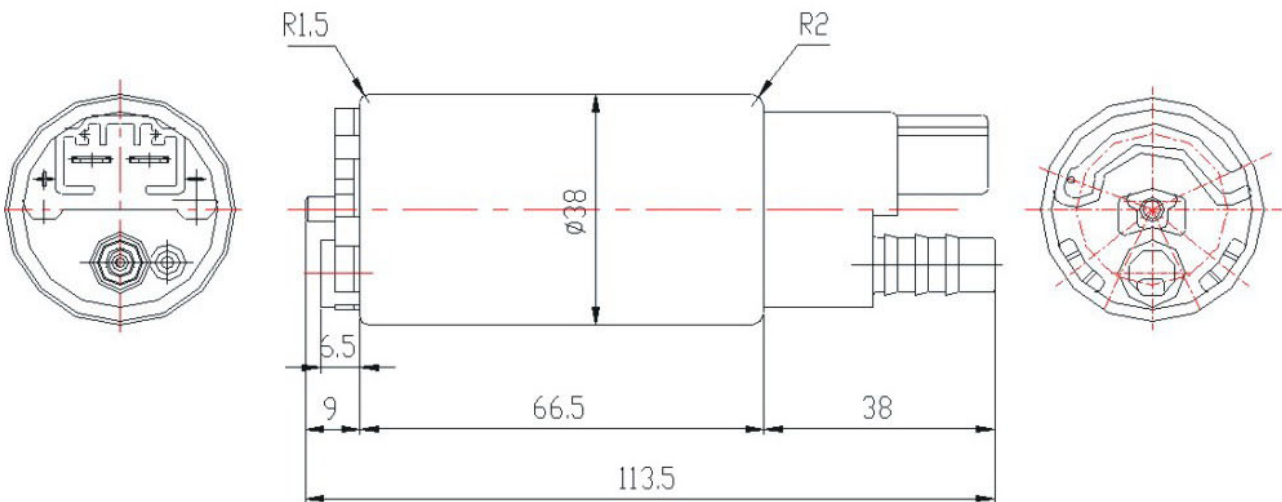
| Type | Voltage | No-load | | At Maximum Efficiency | | |
|--------------------|---------|---------|---------|-----------------------|---------|--------|
| | Nominal | Speed | Current | Speed | Current | Torque |
| | VDC | rpm | A | rpm | A | kg.cm |
| DPGM-W55L-4370-200 | 12.0 | 21.5 | 0.5 | 21 | 0.6 | 5 |

Automotive Motor



- Typical Applications
- Automotive Brushless Fuel Pump
- Fuel of alcohol also

Mechanical



Performance Data

| Type | Rated Voltage | Rated Current | Pressure Range | Rated Pressure | Rated Flow | Peak Discharge | Working Atmosphere | Useful Time |
|-----------|---------------|---------------|----------------|----------------|------------|----------------|--------------------|-------------|
| | VDC | A | Mpa | Mpa | L/H | L/H | °C | H |
| DPWS38-01 | 12 | ≤5 | 0-0.65 | 0.3 | 100 | 180 | -40~+80 | ≥10000 |