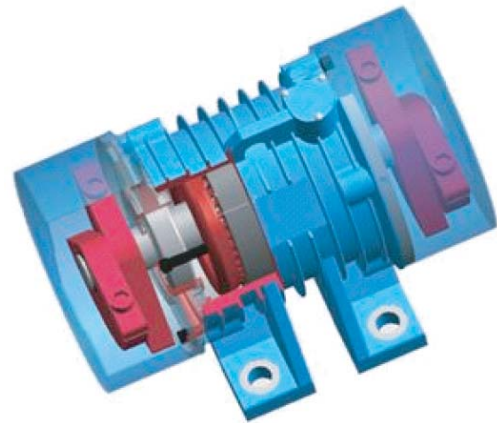
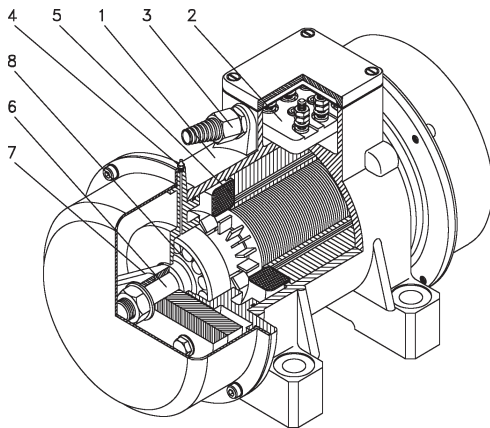


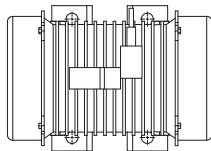
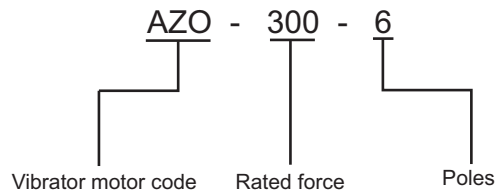
MOTOVIBRATORS MOTOR

CHINA ELECTRIC MOTOR ASSOCIATION
GUANGDONG M&C ELECTRIC POWER CO.,LTD

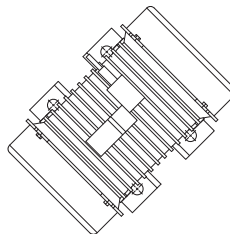


Item defination

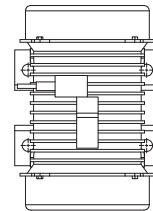
| | |
|---|-----------------------|
| 1 | Vibrator body |
| 2 | Terminal box |
| 3 | Cable gland |
| 4 | Bearing-holder flange |
| 5 | Stator |
| 6 | Rotor shaft |
| 7 | Weights |
| 8 | Bearing |



Horizontal Mounting



Any angle Mounting



Vertical Mounting

Characterristics of AZO Series Vibrator Motor

- Advanced robust light weigh design with little noise whilst producing efficient centrifugal force with a dequare electrical power.
- The entire sealing system enables AZO Series to operate in Very dusty environments.
- The centrifugal force is easily and steplessly adjusted with adjusting the angle the angle of the eccentric weights.
- According to your requirement, AZO Series vibrator motor can work with multi- macjomesunder proper modes.
- Various specifications can meet different kinds of working Requirement of vibratory machines.
- Long service life, low repairing rates.

Application



Special vibration motors in the use of artificial quartz stone presses



Vertical vibrating motor in the vibration of grinding machine



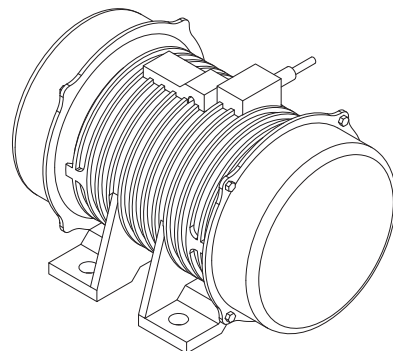
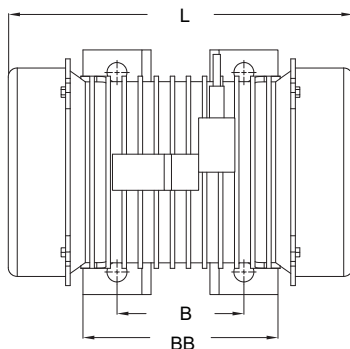
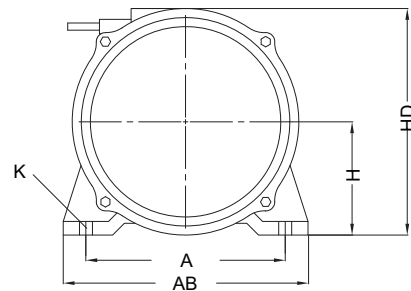
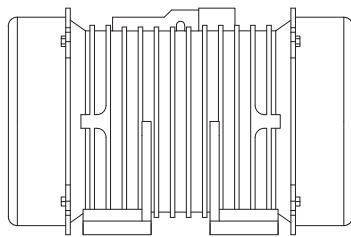
Technical Data

| Item | (r/min) | (KN) | Rated power (KW) | current (A) | mounting dimension | | | | | | | | | | mounting screw specs | weight (KG) |
|------------|---------|------|------------------|-------------|--------------------|-----|-----|-----|-----|----|-----|-----|-----|----|----------------------|-------------|
| | | | | | A | B | H | AB | BB | HA | HD | L | CB | K | | |
| AZO-1-2 | 2900 | 1 | 0.09 | 0.32 | 120 | 40 | 65 | 150 | 70 | 12 | 155 | 220 | | 10 | 4×M8 | 12 |
| AZO-2-2 | | 2 | 0.18 | 0.59 | 150 | 90 | 90 | 180 | 130 | 13 | 200 | 250 | | 14 | 4×M12 | 17 |
| AZO-3-2 | | 3 | 0.25 | 0.78 | 150 | 90 | 90 | 180 | 130 | 13 | 200 | 250 | | 14 | 4×M12 | 21 |
| AZO-5-2 | | 5 | 0.37 | 1.10 | 180 | 110 | 100 | 220 | 155 | 18 | 210 | 310 | | 18 | 4×M16 | 28 |
| AZO-10-2 | | 10 | 0.75 | 1.96 | 220 | 140 | 120 | 265 | 195 | 20 | 230 | 400 | | 22 | 4×M20 | 47 |
| AZO-20-2 | | 20 | 1.50 | 3.67 | 260 | 150 | 140 | 320 | 215 | 23 | 290 | 440 | | 26 | 4×M24 | 72 |
| AZO-30-2 | | 30 | 2.20 | 5.10 | 310 | 170 | 160 | 380 | 240 | 30 | 340 | 490 | | 33 | 4×M30 | 105 |
| AZO-50-2 | | 50 | 3.70 | 8.43 | 350 | 220 | 180 | 430 | 300 | 33 | 380 | 570 | | 39 | 4×M36 | 195 |
| AZO-63-2 | | 63 | 4.50 | 10.31 | 380 | 250 | 200 | 460 | 360 | 38 | 440 | 670 | | 39 | 4×M36 | 280 |
| AZO-1-4 | 1430 | 1 | 0.09 | 0.35 | 120 | 40 | 65 | 150 | 70 | 12 | 155 | 230 | | 10 | 4×M8 | 13 |
| AZO2.5-4 | | 2.5 | 0.12 | 0.49 | 150 | 90 | 90 | 180 | 130 | 13 | 200 | 250 | | 14 | 4×M12 | 20 |
| AZO-5-4 | | 5 | 1.25 | 0.85 | 180 | 110 | 100 | 220 | 150 | 18 | 210 | 330 | | 18 | 4×M16 | 30 |
| AZO-8-4 | | 8 | 0.37 | 1.18 | 220 | 140 | 120 | 265 | 195 | 20 | 225 | 400 | | 22 | 4×M20 | 50 |
| AZO-10-4 | | 10 | 0.55 | 1.76 | 220 | 140 | 120 | 265 | 195 | 20 | 225 | 410 | | 22 | 4×M20 | 55 |
| AZO-16-4 | | 16 | 0.75 | 2.17 | 260 | 150 | 140 | 320 | 215 | 23 | 290 | 430 | | 26 | 4×M24 | 75 |
| AZO-17-4 | | 17 | 0.85 | 2.20 | 240 | 140 | 130 | 305 | 200 | 22 | 260 | 385 | | 26 | 4×M24 | 70 |
| AZO-20-4 | | 20 | 1.10 | 3.20 | 260 | 150 | 140 | 320 | 215 | 23 | 290 | 450 | | 26 | 4×M24 | 87 |
| AZO-30-4 | | 30 | 1.50 | 3.85 | 310 | 170 | 160 | 380 | 240 | 30 | 340 | 490 | | 33 | 4×M30 | 110 |
| AZO-50-4 | | 50 | 2.20 | 5.57 | 350 | 220 | 180 | 430 | 300 | 33 | 380 | 570 | | 39 | 4×M36 | 190 |
| AZO-63-4 | | 63 | 3.00 | 7.20 | 350 | 220 | 180 | 430 | 300 | 33 | 390 | 600 | | 39 | 4×M36 | 240 |
| AZO-80-4 | | 80 | 3.70 | 8.90 | 380 | 250 | 200 | 460 | 360 | 38 | 440 | 670 | | 39 | 4×M36 | 330 |
| AZO-100-4 | | 100 | 6.30 | 14.18 | 440 | 280 | 200 | 530 | 380 | 38 | 460 | 730 | | 45 | 4×M42 | 450 |
| AZO130-4 | | 130 | 7.50 | 16.88 | 460 | 140 | 250 | 550 | 400 | 40 | 490 | 810 | | 45 | 4×M42 | 610 |
| AZO-130-4A | | 130 | 7.50 | 17.01 | 540 | 340 | 260 | 635 | 690 | 40 | 590 | 830 | 130 | 39 | 4×M36 | 720 |
| AZO-160-4 | | 160 | 10.00 | 22.68 | 600 | 120 | 270 | 690 | 510 | 45 | 550 | 950 | | 45 | 4×M42 | 810 |
| AZO-1.5-6 | 970 | 1.5 | 0.12 | 0.50 | 150 | 90 | 90 | 180 | 120 | 13 | 200 | 255 | | 14 | 4×M12 | 21 |
| AZO-3-6 | | 3 | 0.25 | 0.99 | 180 | 110 | 100 | 220 | 150 | 18 | 210 | 330 | | 18 | 4×M16 | 32 |
| AZO-5-6 | | 5 | 0.37 | 1.37 | 220 | 140 | 120 | 265 | 195 | 20 | 225 | 400 | | 22 | 4×M20 | 55 |
| AZO-10-6 | | 10 | 0.75 | 2.47 | 260 | 150 | 140 | 320 | 215 | 23 | 290 | 430 | | 26 | 4×M24 | 78 |
| AZO-16-6 | | 16 | 1.10 | 3.37 | 260 | 150 | 140 | 320 | 215 | 23 | 290 | 460 | | 26 | 4×M24 | 93 |
| AZO-20-6 | | 20 | 1.50 | 4.47 | 310 | 170 | 160 | 380 | 240 | 30 | 340 | 520 | | 33 | 4×M30 | 420 |
| AZO-26-6 | | 26 | 1.85 | 5.58 | 310 | 170 | 160 | 380 | 240 | 30 | 340 | 550 | | 33 | 4×M30 | 148 |
| AZO-30-6 | | 30 | 2.20 | 6.22 | 350 | 220 | 180 | 430 | 290 | 33 | 380 | 580 | | 39 | 4×M36 | 200 |
| AZO-40-6 | | 40 | 3.00 | 8.38 | 350 | 220 | 180 | 430 | 300 | 33 | 380 | 610 | | 39 | 4×M36 | 250 |
| AZO-50-6 | | 50 | 3.70 | 9.37 | 380 | 250 | 200 | 460 | 330 | 35 | 420 | 650 | | 39 | 4×M36 | 290 |
| AZO-63-6 | | 63 | 4.50 | 11.50 | 380 | 250 | 200 | 460 | 360 | 38 | 440 | 671 | | 39 | 4×M36 | 375 |
| AZO-80-6 | | 80 | 5.50 | 13.60 | 440 | 280 | 220 | 530 | 380 | 38 | 460 | 710 | | 45 | 4×M42 | 420 |

Technical Data

| Item | (r/min) | (KN) | Rated power (KW) | current (A) | mounting dimension | | | | | | | | | | mounting screw specs | weight (KG) |
|------------|---------|------|------------------|-------------|--------------------|-----|-----|-----|-----|----|-----|------|-----|----|----------------------|-------------|
| | | | | | A | B | H | AB | BB | HA | HD | L | CB | K | | |
| AZO-100-6 | | 100 | 6.30 | 15.58 | 460 | 140 | 220 | 550 | 400 | 40 | 470 | 860 | | 45 | 4×M42 | 500 |
| AZO-130-6 | | 130 | 7.50 | 18.08 | 460 | 140 | 250 | 550 | 450 | 40 | 490 | 910 | | 45 | 4×M42 | 650 |
| AZO-130-6A | | 130 | 7.50 | 18.08 | 540 | 340 | 260 | 635 | 690 | 40 | 590 | 890 | 130 | 39 | 4×M36 | 760 |
| AZO-150-6 | | 150 | 10.00 | 22.89 | 520 | 118 | 250 | 610 | 500 | 42 | 500 | 940 | | 39 | 4×M36 | 780 |
| AZO-150-6C | | 150 | 10.00 | 22.89 | 460 | 118 | 250 | 550 | 500 | 42 | 500 | 940 | | 39 | 4×M36 | 750 |
| AZO-150-6A | | 150 | 10.00 | 22.95 | 540 | 340 | 260 | 635 | 690 | 40 | 590 | 930 | 130 | 39 | 4×M36 | 850 |
| AZO-180-6 | | 180 | 14.00 | 33.36 | 600 | 120 | 270 | 690 | 510 | 45 | 550 | 1000 | | 45 | 4×M42 | 970 |
| AZO-180-6C | | 180 | 14.00 | 33.36 | 520 | 120 | 270 | 610 | 510 | 45 | 550 | 1000 | | 45 | 4×M42 | 930 |
| AZO-250-6A | | 250 | 18.00 | 43.89 | 630 | 420 | 300 | 740 | 840 | 48 | 680 | 1170 | 160 | 52 | 4×M48 | 1430 |
| AZO-1.5-8 | 720 | 1.5 | 0.18 | 0.85 | 180 | 110 | 100 | 220 | 150 | 18 | 210 | 330 | | 18 | 4×M16 | 33 |
| AZO-3-8 | | 3 | 0.25 | 1.18 | 220 | 140 | 120 | 265 | 195 | 20 | 225 | 410 | | 22 | 4×M20 | 60 |
| AZO-5-8 | | 5 | 0.37 | 1.75 | 260 | 150 | 140 | 320 | 215 | 23 | 290 | 450 | | 26 | 4×M24 | 80 |
| AZO-10-8 | | 10 | 0.75 | 2.78 | 310 | 170 | 160 | 380 | 240 | 30 | 340 | 500 | | 33 | 4×M30 | 135 |
| AZO-16-8 | | 16 | 1.10 | 4.07 | 310 | 170 | 160 | 380 | 240 | 30 | 340 | 550 | | 33 | 4×M30 | 150 |
| AZO-20-8 | | 20 | 1.50 | 4.93 | 350 | 220 | 180 | 430 | 290 | 33 | 380 | 600 | | 39 | 4×M36 | 220 |
| AZO-30-8 | | 30 | 2.20 | 6.70 | 380 | 250 | 200 | 460 | 330 | 35 | 420 | 700 | | 39 | 4×M36 | 350 |
| AZO-50-8 | | 50 | 3.70 | 9.80 | 440 | 280 | 220 | 530 | 380 | 38 | 460 | 750 | | 45 | 4×M42 | 460 |
| AZO-80-8 | | 80 | 5.50 | 14.15 | 460 | 140 | 250 | 550 | 400 | 40 | 490 | 910 | | 45 | 4×M42 | 690 |
| AZO-80-8A | | 80 | 5.50 | 14.15 | 540 | 340 | 260 | 635 | 690 | 40 | 590 | 890 | 130 | 39 | 8×M36 | 780 |
| AZO-100-8A | | 100 | 6.30 | 16.60 | 540 | 340 | 260 | 635 | 690 | 40 | 590 | 910 | 130 | 39 | 8×M36 | 850 |
| AZO-140-8 | | 140 | 10.00 | 25.06 | 600 | 120 | 270 | 690 | 510 | 45 | 550 | 1000 | | 45 | 8×M42 | 970 |
| AZO-200-8A | | 200 | 14.00 | 37.86 | 630 | 420 | 300 | 740 | 840 | 48 | 680 | 1210 | 160 | 52 | 8×M48 | 1450 |

Dimension



M&C[®]
ELECTRIC POWER

CHINA ELECTRIC MOTOR ASSOCIATION
GUANGDONG M&C ELECTRIC POWER CO.,LTD

Add:3/f Dizhi Building No.739 Dongfeng Rd.E Guangzhou China

Tel.: 0086-20-89660216

Fax.: 0086-20-89660219

P.C.: 510080

E-mail: mc@china-electricmotor.com

Website: <http://www.china-electricmotor.com>