

Shaded Pole Motor



M&C[®]
ELECTRIC POWER

M&C shaded pole motors are widely used on humidifiers, microwave ovens, electromagnetic ovens, electronic ovens, refrigerating cabinets, food display cabinets, the second ventilation of household central air-conditioning systems, drainage systems of the air-conditioner's condensation water, ceiling-inserting air conditioners, dehumidifiers, air purifiers, dishwashers, electronic projectors, small-sized water pumps, oil pumps, reduction gear boxes, exhaust blowers, drying machines, welding machines, etc.

With strong technology, complete testing equipments and advanced production lines, we got ISO9001 quality system certification. Except the authentication of China's CCC, M&C brand shading-pole electronic motors have got US's UL, Canada's CSA, North American's CUL, Germany's TUV, and EU's CE certification.

pursuing the aim of valuing quality, reputation and service, we are sincerely willing to cooperate with both old and new customers at home and abroad. We warmly welcome the friends from all walks of life to visit our company and offer advice and suggestions.



48 series motor



48 sealed motor



48 series motor



48 series motor



48 series motor



48 series motor



55 series motor



58 series motor



58 series motor



61 series motor



61 series motor



61 series motor



61 series motor



61 sealed motor



61 sealed by epoxy



61 series motor



61 series motor



61 series motor



71 series motor



71 series motor



72 series motor



82 series motor



82 series motor



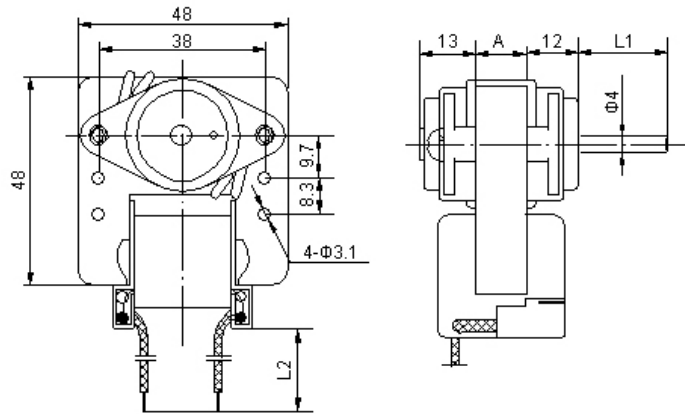
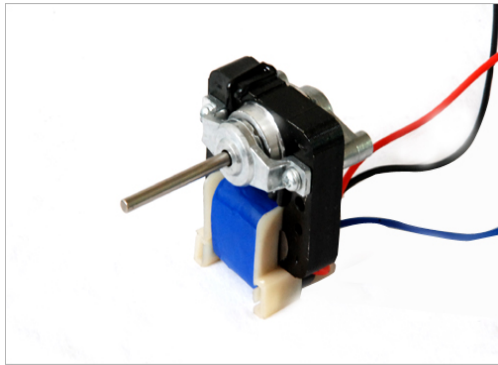
84 series motor



84 series motor

Shaded Pole Motor

48 Series



Main Application:

- ※ 48 series motor is major used on humidifiers, medical devices, water pumps, warmers, the cooling blowers of instruments and meters, etc.

Features:

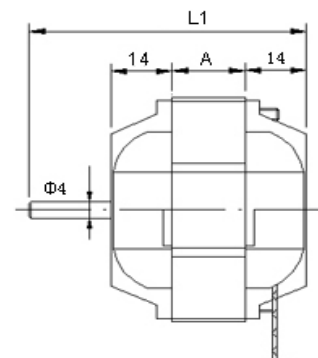
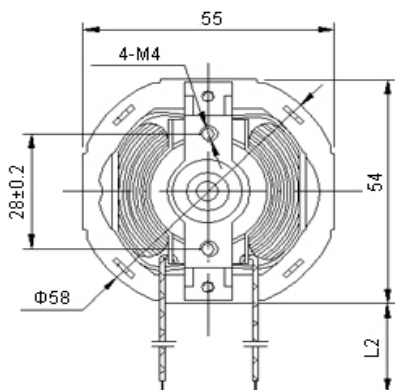
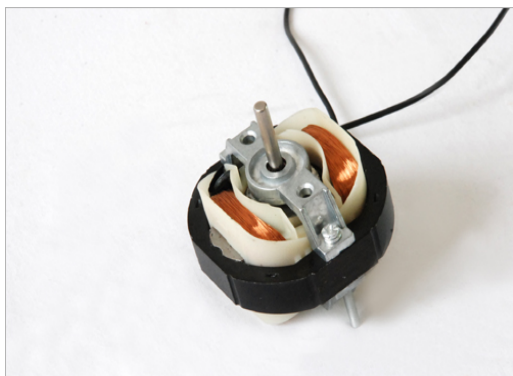
- ※ The rotating direction: clockwise, counterclockwise.
- ※ The working standard: continuous.
- ※ Winding insulation: A . E . B . F . H
- ※ The main capability of motors can be designed by the voltage of users and the actual load. The length of shaft can be designed in accordance with user's requirements including whorl, ribbonfil, etc. In accordance with user's requirements, the winding can be sealed by ABS plastic, epoxy, etc.
- ※ We have more than 90 kinds of casting aluminum brackets and reinforced nylon brackets which can match with different shafts , we also can design the other bracket in accordance with user's requirements

ELECTRICAL SPECIFICATION CHART: (The following specifications can be changed as your requirement)

ITEM MODEL	VOLTAGE V	FREQUENCY Hz	INSU LATION	DIMEN-SION A mm	NO LOAD PERFORMANCE			ON LOAD PERFORMANCE					
					INPUT CURRENT	INPUT POWER	SPEED	INPUT CURRENT	INPUT POWER	COS ϕ	SPEED	OUTPUT POWER	TORQUE
					A	W	r/min	A	W		r/min	W	g.cm
AJ48-10A/1	220/240	50	E	10	0.06	5	2600	0.07	7	0.46	2300	0.48	20
AJ48-10B/2	120	60	E	10	0.1	4	3300	0.11	6.5	0.50	2600	0.55	20
AJ48-12A/1	220/240	50	E	12	0.085	9	2650	0.09	11	0.48	2300	0.72	30
AJ48-12B/2	120	60	E	12	0.11	7	3350	0.125	8.5	0.55	2400	0.78	30
AJ48-16A/1	220/240	50	E	16	0.11	12	2700	0.135	15	0.51	2300	1.45	60
AJ48-16B/2	120	60	E	16	0.135	12.5	3400	0.16	16	0.55	2500	1.55	60
AJ48-20A/1	220/240	50	E	20	0.145	12.5	2800	0.155	16	0.56	2400	2.0	80
AJ48-20B/2	120	60	E	20	0.16	13	3400	0.19	19	0.60	2500	2.1	80

Shaded Pole Motor

58 Series



Main Application:

- ※ 58 series motor is widely used in air conditioners, air cooling and warming devices, Ventilator folding electric fans, automatic curtain devices, electric pad, rotative lamps and lanterns, automatic ice maker, instruments and advertisement devices to drive the motors.

Features:

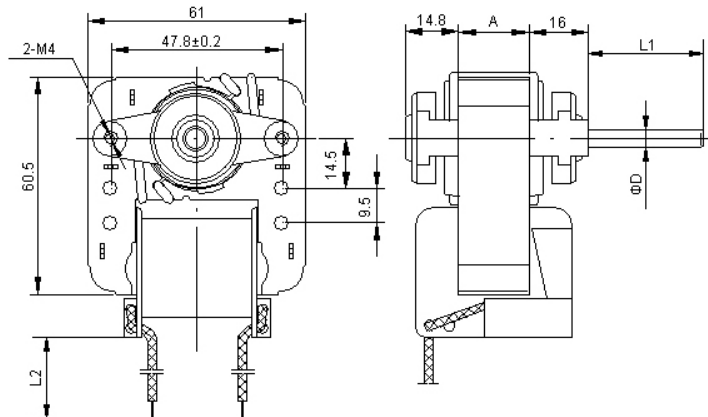
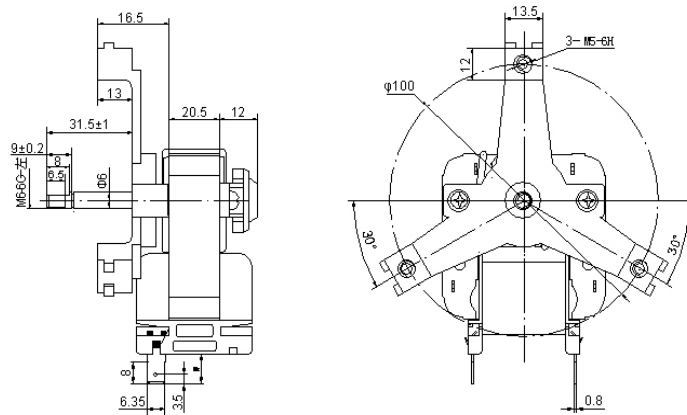
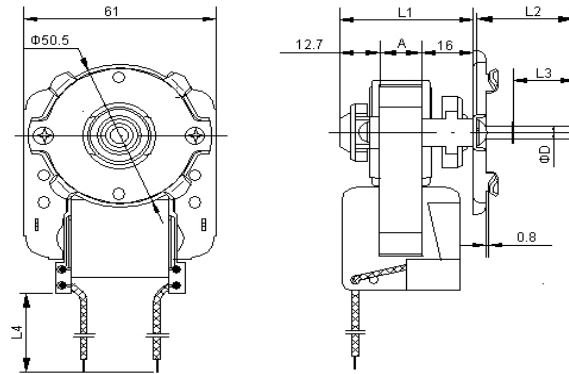
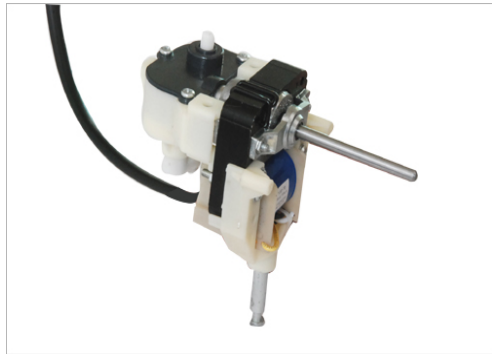
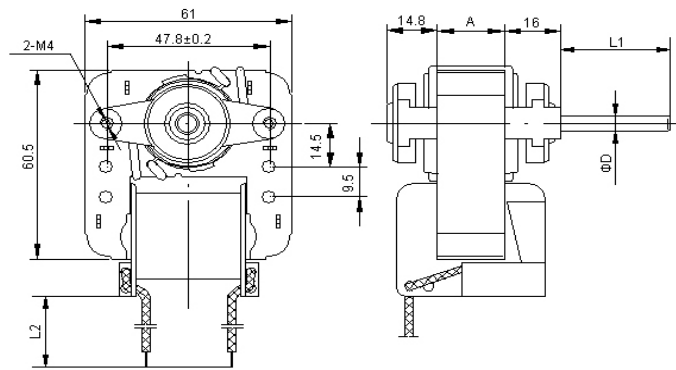
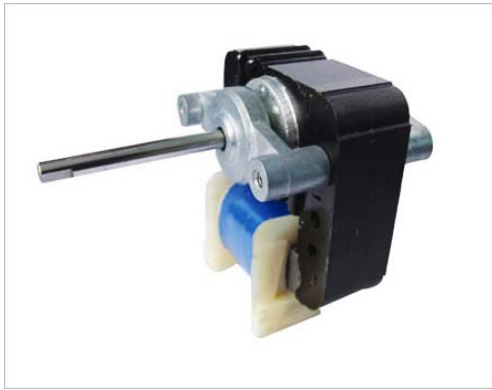
- ※ The series motor is safe and reliable, low noise, characteristics hard, good starting, long life, etc.
- ※ The rotating direction: clockwise, counterclockwise.
- ※ The working standard: continuous.
- ※ Winding insulation: E . B . F . H
- ※ The main capability of motors can be designed by the voltage of users and the actual load. The length of shaft can be designed in accordance with user's requirements including whorl, ribbonfil, etc. In accordance with user's requirements, the winding can be sealed by ABS plastic, epoxy, etc.
- ※ We have more than 90 kinds of casting aluminum brackets and reinforced nylon brackets which can match with different shafts , we also can design the other bracket in accordance with user's requirements
- ※ The series motor is safe and reliable, low noise, characteristics hard, good starting, long life, etc. ferent shafts , we also can design the other bracket in accordance with user's requirements

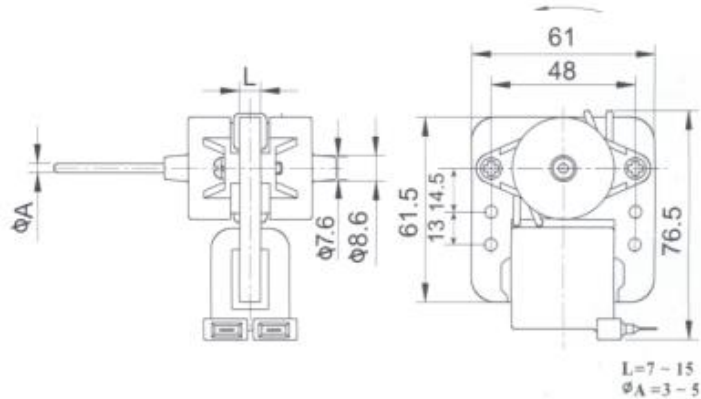
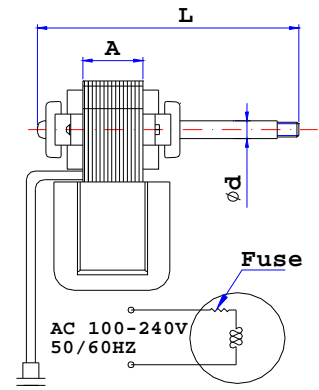
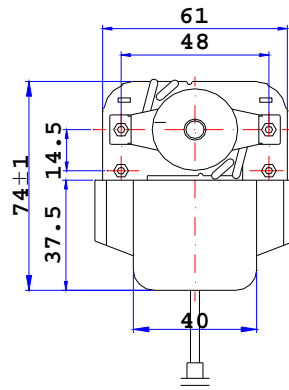
ELECTRICAL SPECIFICATION CHART: (The following specifications can be changed as your requirement

ITEM MODEL	VOLTAGE E	FREQUENCY ENCY	INSULATION ATION	DIMENSION A	NO LOAD PERFORMANCE			ON LOAD PERFORMANCE					
					INPUT-CURRENT	INPUT-POWER	SPEED	INPUT-CURRENT	INPUT-POWER	COS φ	SPEED	OUTPUT-POWER	TORQUE
					A	W	r/min	A	W		r/min	W	g.cm
AJ58-12A/1	220/240	50	E	12.5	0.1	12.5	2600	0.13	16	0.55	2400	1.50	60
AJ58-12B/2	120	60	E	12.5	0.16	12	3350	0.20	16.5	0.65	2500	1.55	60
AJ58-16A/1	220/240	50	E	16.5	0.11	13.5	2700	0.15	17	0.58	2350	1.95	80
AJ58-16B/2	120	60	E	16.5	0.17	14	3400	0.21	18	0.62	2400	2.0	80
AJ58-20A/1	220/240	50	E	20.5	0.115	13.5	2750	0.14	18	0.60	2400	2.5	100
AJ58-20B/2	120	60	E	20.5	0.175	15.5	3400	0.23	21	0.65	2500	2.6	100
AJ58-30A/1	220/240	50	E	30.5	0.145	15	2800	0.16	20	0.63	2450	3.0	120
AJ58-30B/2	120	60	E	30.5	0.19	17	3400	0.28	25	0.66	2500	3.15	

Shaded Pole Motor

61 Series





Main Application:

- ※ 61 series motor is widely used in heater fan, electric toaster, fireplace, pumps, water pumps, air conditioners, dehumidifiers, blender, microwave ovens, air fresher and other household appliances and industrial equipments.

Features:

- ※ The series motor is safe and reliable, low noise, characteristics hard, good starting, long life, etc.
- ※ The rotating direction: clockwise, counterclockwise.
- ※ The working standard: continuous.
- ※ Winding insulation: A . E . B . F . H
- ※ The main capability of motors can be designed by the voltage of users and the actual load. The length of shaft can be designed in accordance with user's requirements including whorl, ribbonfil, etc. In accordance with user's requirements, the winding can be sealed by ABS plastic, epoxy, etc.
- ※ We have more than 90 kinds of casting aluminum brackets and reinforced nylon brackets which can match with different shafts , we also can design the other bracket in accordance with user's requirements
- ※ The series motor is safe and reliable, low noise, characteristics hard, good starting, long life, etc. ferent shafts , we also can design the other bracket in accordance with user's requirements

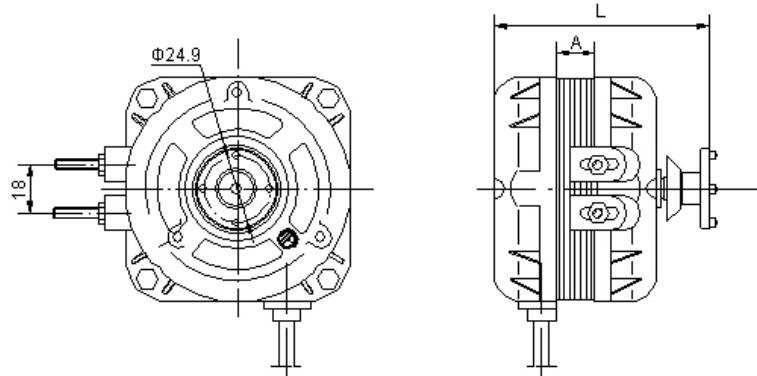
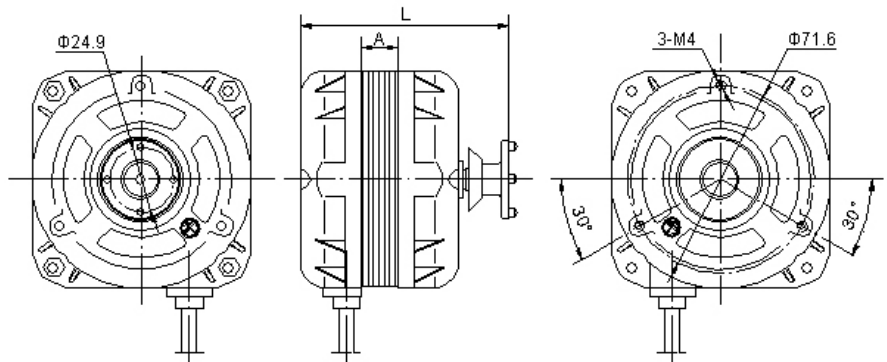
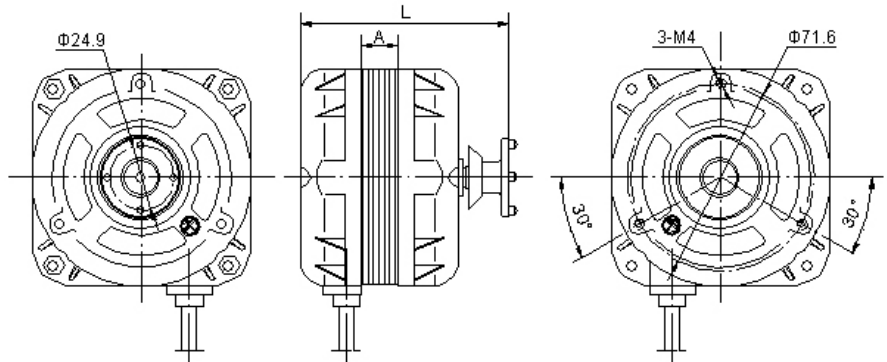
M&C[®]
ELECTRIC POWER

China Electric motor Association/ GuangDong M&C Electric Power Co.Ltd
<http://www.china-electricmotor.com> E-mail:mc@china-electricmotor.com

Tel:+86 2089660216 Fax:+86 2089660219

Shaded Pole Motor

82 Series



Main Application:

- ※ 82 series motor is widely used in heater fan, exhaust fan, condensation heat fans for refrigerators and other household appliance and industrial equipments.

Features:

- ※ The series motor is safe and reliable, low noise, characteristics hard, good starting, long life, etc.
- ※ Work within 400 VAC voltage available.
- ※ Motor rotation direction, leading wire and size "L" can be produced according to user requirements.

ELECTRICAL SPECIFICATION CHART: (The following specifications can be changed as your requirement)

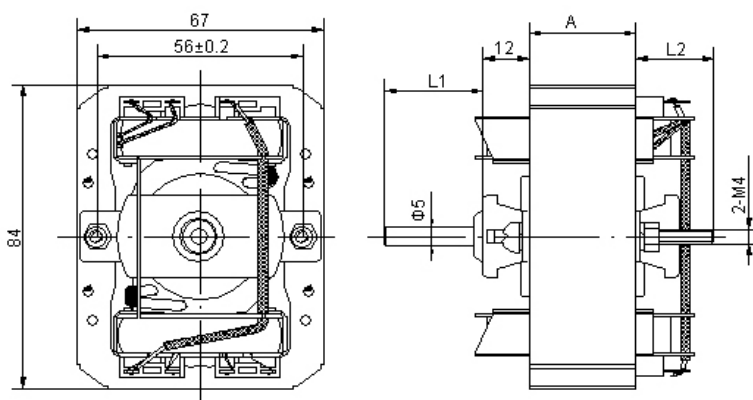
M&C[®]
ELECTRIC POWER

China Electric motor Association/ GuangDong M&C Electric Power Co. Ltd
<http://www.china-electricmotor.com> E-mail: mc@china-electricmotor.com
Tel: +86 2089660216 Fax: +86 2089660219

Model	Vol.	Fre.	Size	On-load performance			
				In. Cur.	In. Pow.	Speed	Torque
	(V)	(Hz)	A (mm)	(A)	(W)	(RPM)	(g. cm)
AJ82-13/1	220~240	50	13.5	0.20	26	1400	180
AJ82-13/2	100~120	60	13.5	0.23	29	1600	180
AJ82-17/1	220~240	50	17	0.20	28	1400	240
AJ82-17/2	100~120	60	17	0.25	32	1600	240
AJ82-25/1	220~240	50	25	0.22	50	1300	400
AJ82-25/2	100~120	60	25	0.26	60	1550	400
AJ82-45/1	220~240	50	45	0.45	90	1300	800
AJ82-45/2	100~120	60	45	0.60	110	1550	800

Shaded Pole Motor

84 Series



Main Application:

※ 84 series motor is widely used in range hoods, blenders, pencil sharpening, shredders and other equipment.

Features:

- ※ The series motor is safe and reliable, low noise, characteristics hard, good starting, long life, etc.
- ※ The series motor can be designed into four insulation class according to user requirements: that of E, B, F, H.
- ※ Motor rotation and size "D, L1, L2" can be produced according to user's requirements.

ELECTRICAL SPECIFICATION CHART: (The following specifications can be changed as your requirement)

Model	Vol.	Fre.	Size	On-load performance			
				In. Cur.	In. Pow.	Speed	Torque
	(V)	(Hz)	A (mm)	(A)	(W)	(RPM)	(g. cm)
AJ84-20/1	220~240	50	20	0.40	40	1800	300
AJ84-20/2	100~120	60	20	0.55	50	2000	300
AJ84-25/1	220~240	50	25	0.60	70	1600	450
AJ84-25/2	100~120	60	25	0.80	90	1900	450
AJ84-30/1	220~240	50	30	0.80	95	1800	600
AJ84-30/2	100~120	60	30	1.30	110	2000	600