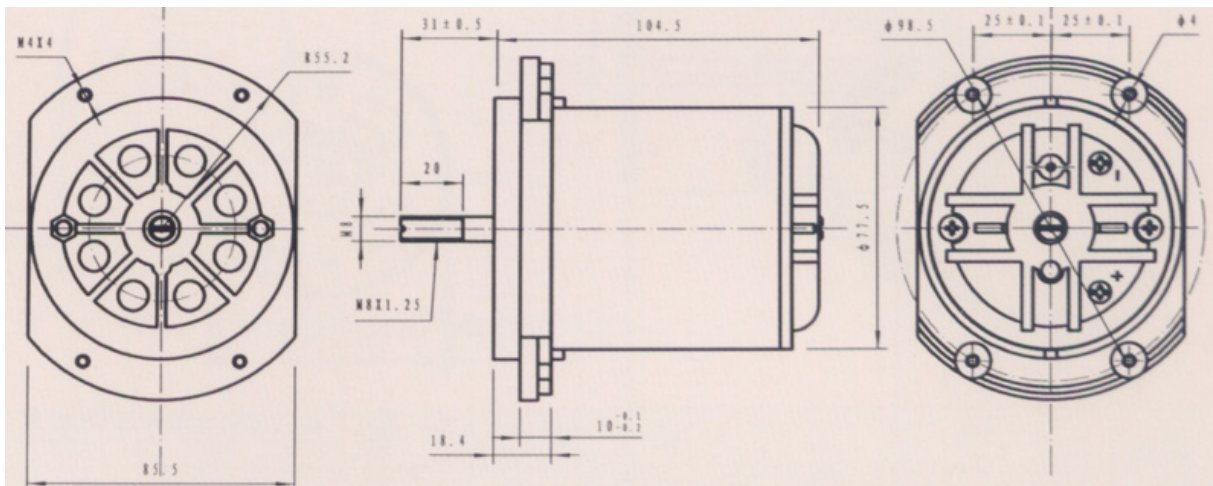


Car Waxing Machine Motor



- Typical Applications
- Car Waxing Machine, ETC

Mechanical



Performance Data

Type	Voltage		No-load		At Maximum Efficiency						Stall		
	Operating Range	Nominal	Speed	Current	Speed	Current	Torque		Output	Eff	Torque		Current
	V	V	rpm	A	rpm	A	g.cm	mN.m	W	%	g.cm	mN.m	A
HHT-368-A	12.0	12.0	2600	0.05	2208	0.35	1500	147.0	33.96	80.9	9950.0	975.1	2.04