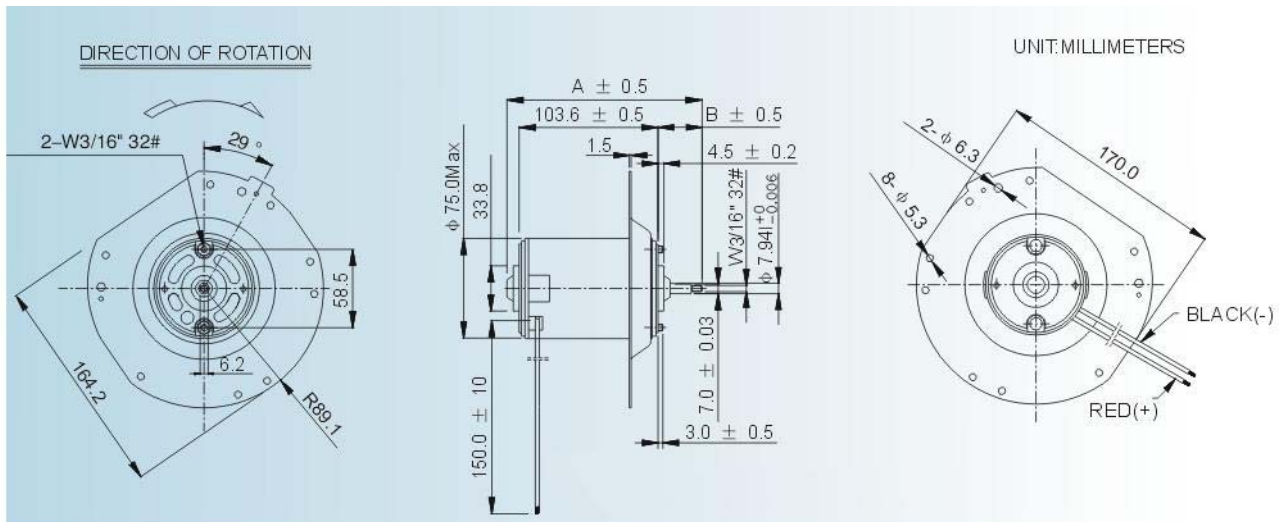


Heating Ventilation And Air Conditioner



- Typical Applications
- AUTO Blower, ETC

Mechanical



Performance Data

Type	Voltage		No-load		At Maximum Efficiency						Stall		
	Operating Range	Nominal	Speed	Current	Speed	Current	Torque		Output	Eff	Torque		Current
	V	V	rpm	A	rpm	A	g.cm	mN.m	W	%	g.cm	mN.m	A
HHT-114	9.6-14.4	12.0	4500	1.35	3864	8.815	1922	188.36	76.17	72.0	13600	1332.8	53.56